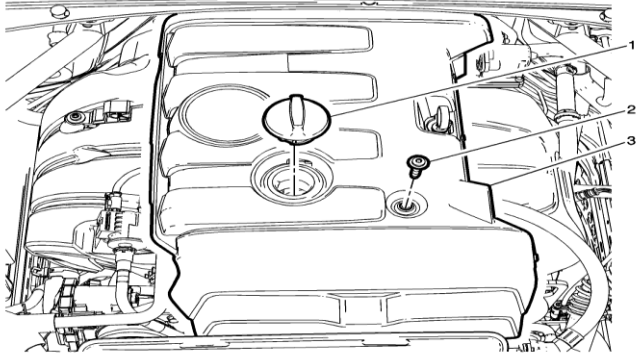


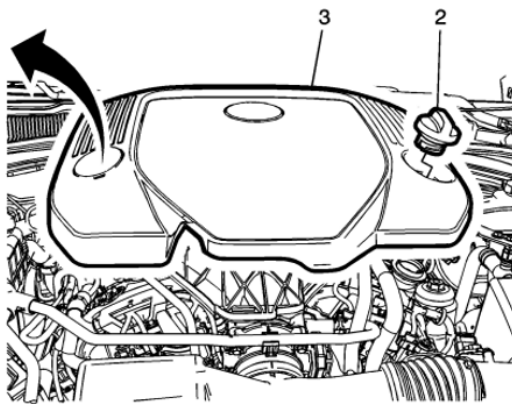
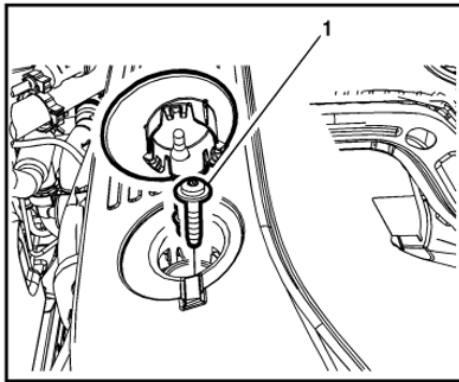
Accessory Engine Cover Installation

Application	Part Number
Cadillac ATS LCV I4	12662766
Cadillac ATS/CTS LTG I4 Turbo	12662767
Cadillac ATS/CTS LFX V6	12662926
Cadillac ATS/CTS V6	12662929
Cadillac CTS V6 Turbo	12662928

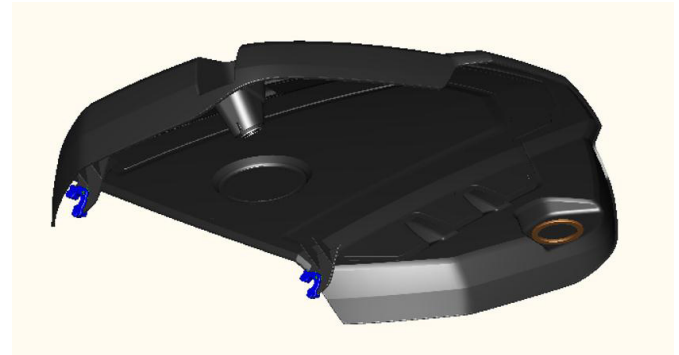
LCV and LTG – remove oil fill cap (1) then remove attaching screw (2). Lift up cover (3). Reinstall screw at 9N·m (80lb in)



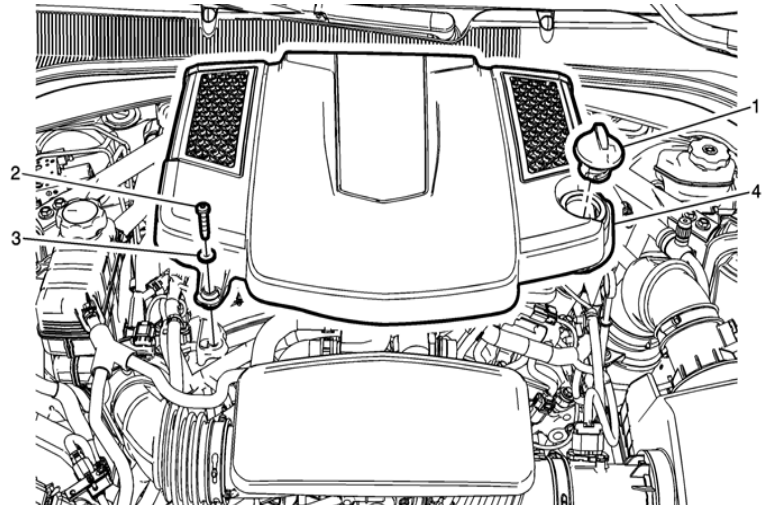
LFX –lift up access cover and remove attaching screw (1) then remove oil fill cap (2). Lift up cover (3) Reinstall screw at 9N·m (80lb in)



LGX - Remove oil fill cap and lift cover to remove. Engage attaching clips when reinstalling.



LF3 – Remove oil fill cap (1) and attaching screw (2). Lift cover to remove. Reinstall screw at 9N·m (80lb in)



Accessory Engine Cover Installation

IR 15AU14

PART NO.

12668736

SHEET

1 OF **3**

ALL INFORMATION WITHIN ABOVE BORDER TO BE PRINTED EXACTLY AS SHOWN ON 8.5 x 11 WHITE 16 POUND NON-BOND RECYCLABLE PAPER. PRINT ON BOTH SIDES, EXCLUDING TEMPLATES. TO BE UNITIZED IN ACCORDANCE WITH GM SPECIFICATIONS.

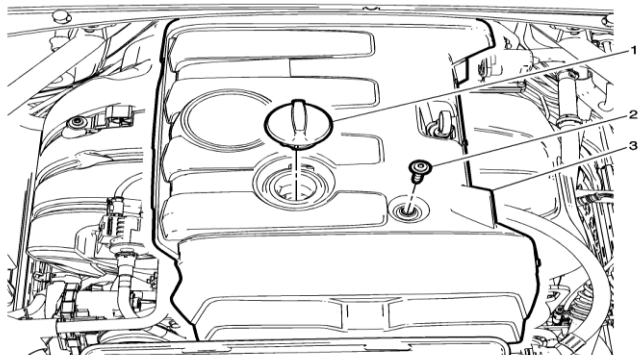
DATE	REVISION	AUTH	DR
15AU14	Initial Release - Thomas Wysocki	2127191	

TITLE	INSTALLATION INSTRUCTIONS		
Accessory Engine Cover Installation			
PART NO.	12668736	SHEET	1 OF 3

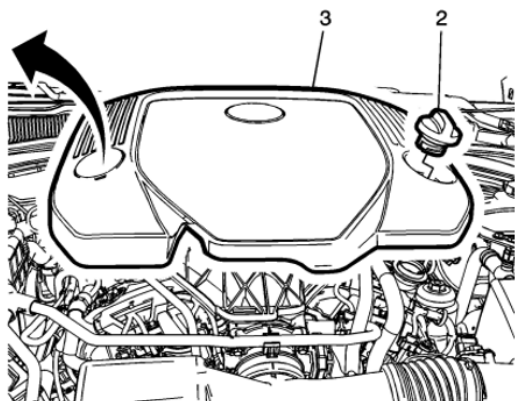
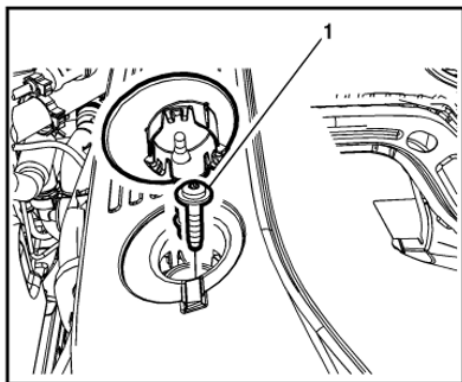
Pose du couvercle accessoire de moteur :

Application	Numéro de pièce
Cadillac ATS LCV I4	12662766
Cadillac ATS/CTS LTG I4 Turbo	12662767
Cadillac ATS/CTS LFX V6	12662926
Cadillac ATS/CTS V6	12662929
Cadillac CTS V6 Turbo	12662928

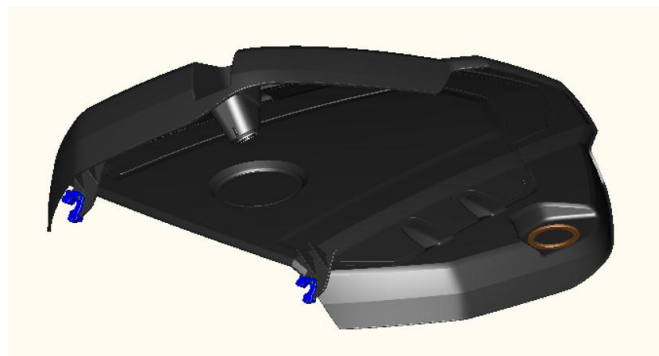
LCV et LTG - déposer le bouchon de remplissage d'huile (1) puis déposer la vis de fixation (2). Lever le couvercle (3). Reposer la vis en la serrant à 9 N-m (80 lb po)



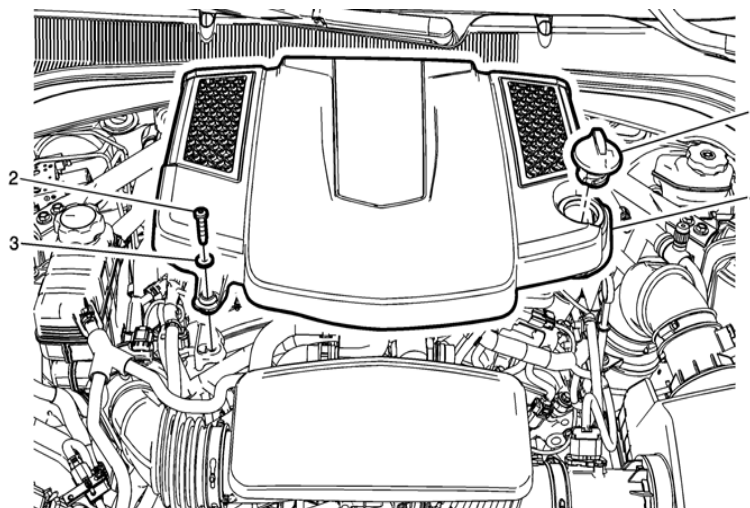
LFX - lever le couvercle d'accès puis déposer la vis de fixation (1) puis déposer le bouchon de remplissage d'huile (2). Lever le couvercle (3). Reposer la vis en la serrant à 9 N-m (80 lb po)



LGX - déposer le bouchon de remplissage d'huile puis lever le couvercle pour le déposer. Engager les attaches de fixation lors de la repose.



LF3 - déposer le bouchon de remplissage d'huile (1) et la vis de fixation (2). Lever le couvercle pour le déposer. Reposer la vis en la serrant à 9 N-m (80 lb po)



Accessory Engine Cover Installation

IR 15AU14 PART NO. **12668736** SHEET **2** OF **3**

ALL INFORMATION WITHIN ABOVE BORDER TO BE PRINTED EXACTLY AS SHOWN ON 8.5 x 11 WHITE 16 POUND NON-BOND RECYCLABLE PAPER. PRINT ON BOTH SIDES, EXCLUDING TEMPLATES. TO BE UNITIZED IN ACCORDANCE WITH GM SPECIFICATIONS.

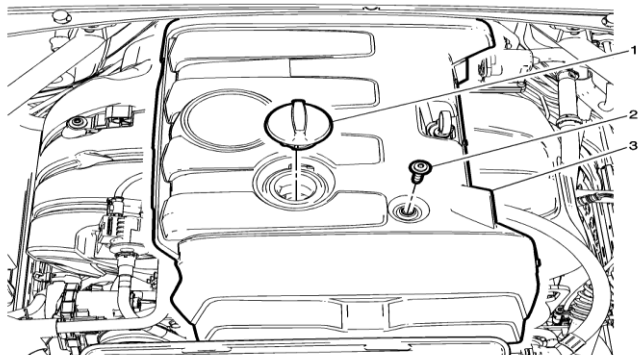
DATE	REVISION	AUTH	DR
15AU14	Initial Release - Thomas Wysocki	2127191	

TITLE	INSTALLATION INSTRUCTIONS Accessory Engine Cover Installation		
PART NO.	12668736	SHEET	2 OF 3

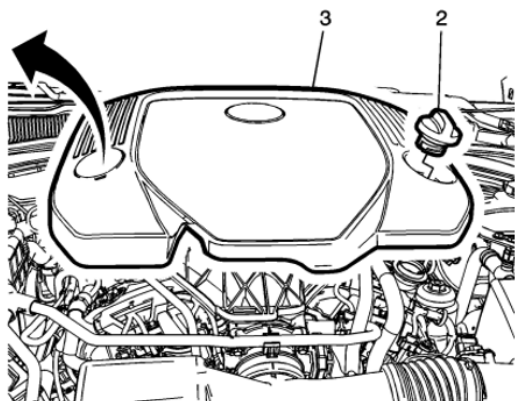
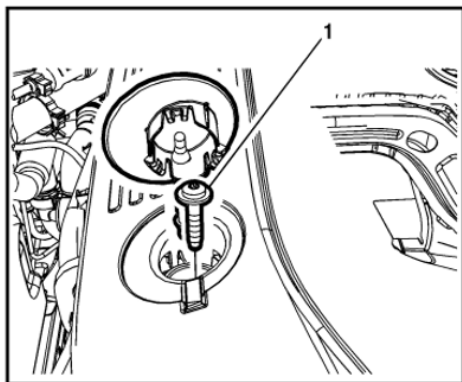
Instalación de cubierta del motor de accesorios

Aplicación	Número de parte
Cadillac ATS LCV I4	12662766
Cadillac ATS/CTS LTG I4 Turbo	12662767
Cadillac ATS/CTS LFX V6	12662926
Cadillac ATS/CTS V6	12662929
Cadillac CTS V6 Turbo	12662928

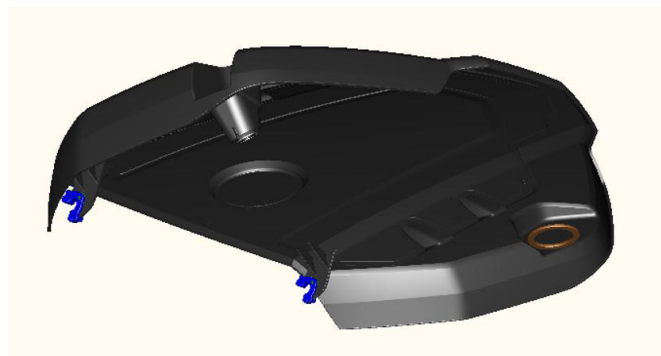
LCV y LTG - Retire la tapa de relleno de aceite (1) y después retire el tornillo de sujeción (2). Levante la cubierta (3). Vuelva a instalar el tornillo a 9 n-m (80 lbs pulg.)



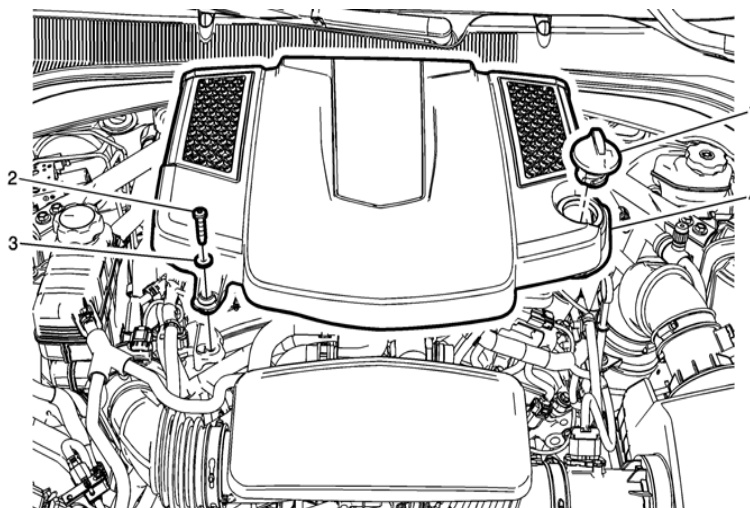
LFX - Levante la cubierta de acceso y retire el tornillo de sujeción (1) y después retire la tapa de relleno de aceite (2). Levante la cubierta (3) y vuelva a instalar el tornillo a 9 n-m (80 lbs pulg.)



LGX - Retire la tapa de relleno de aceite y levante la cubierta para retirarla. Conecte los sujetadores de conexión cuando vuelva a instalar.



LF3 - Retire la tapa de relleno de aceite (1) y el tornillo de sujeción (2). Levante la cubierta para retirarla. Vuelva a instalar el tornillo a 9 n-m (80 lbs pulg.)



Accessory Engine Cover Installation

IR 15AU14 PART NO. **12668736** SHEET **3** OF **3**

ALL INFORMATION WITHIN ABOVE BORDER TO BE PRINTED EXACTLY AS SHOWN ON 8.5 x 11 WHITE 16 POUND NON-BOND RECYCLABLE PAPER. PRINT ON BOTH SIDES, EXCLUDING TEMPLATES. TO BE UNITIZED IN ACCORDANCE WITH GM SPECIFICATIONS.

DATE	REVISION	AUTH	DR
15AU14	Initial Release - Thomas Wysocki	2127191	

TITLE	INSTALLATION INSTRUCTIONS Accessory Engine Cover Installation		
PART NO.	12668736	SHEET	3 OF 3