

## Installation Instructions Part Number

84100086

### Kit Contents 84100080 (Gold)

Qty	Description
1	Illuminated Emblem Assembly Bow Tie – Front
1	Harness Package
1	Installation Instructions

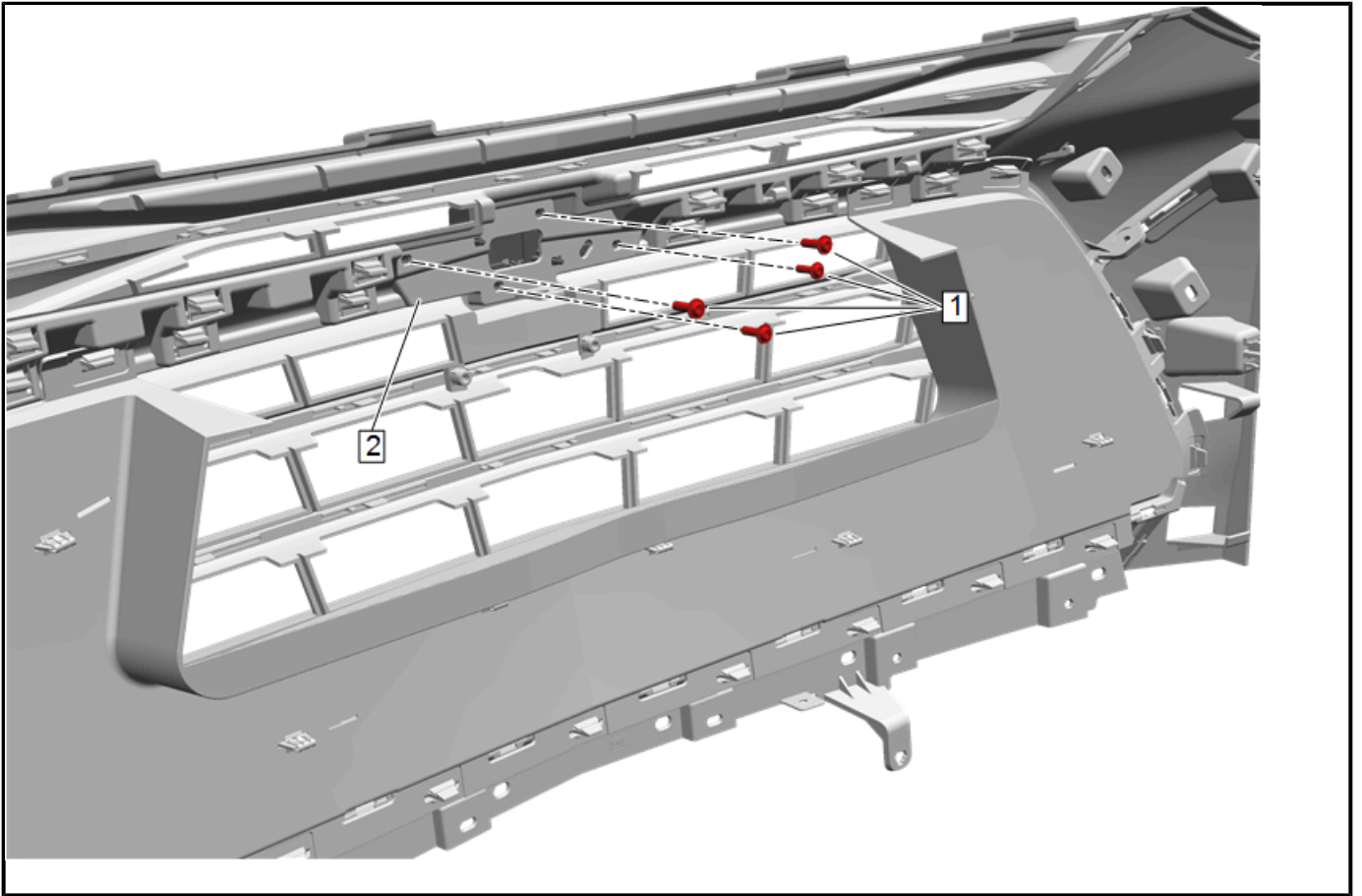
### Kit Contents 84100081 (Black)

Qty	Description
1	Illuminated Emblem Assembly Bow Tie – Front
1	Harness Package
1	Emblem Assembly Bow Tie (Black) – Rear
1	Alcohol Wipe
1	Installation Instructions

## Procedure

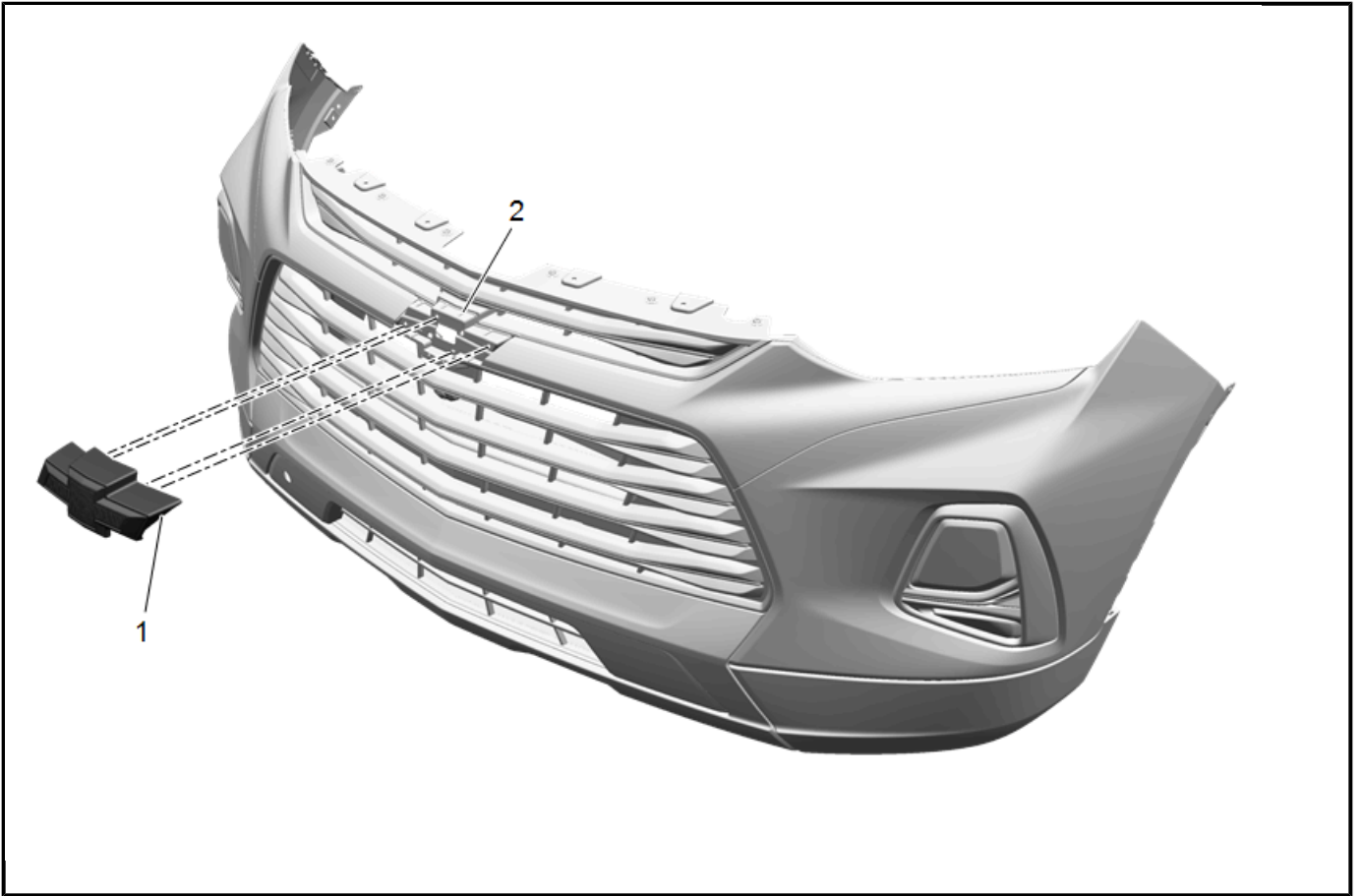
### Front Bow Tie Emblem Replacement

1. Read all instructions before performing procedure.
2. Inspect kit to verify all parts are included.
3. Turn off the vehicle.
4. Open the hood.
5. Remove the front bumper fascia from vehicle. Refer to [Front Bumper Fascia Replacement](#) in Vehicle Service Manual.



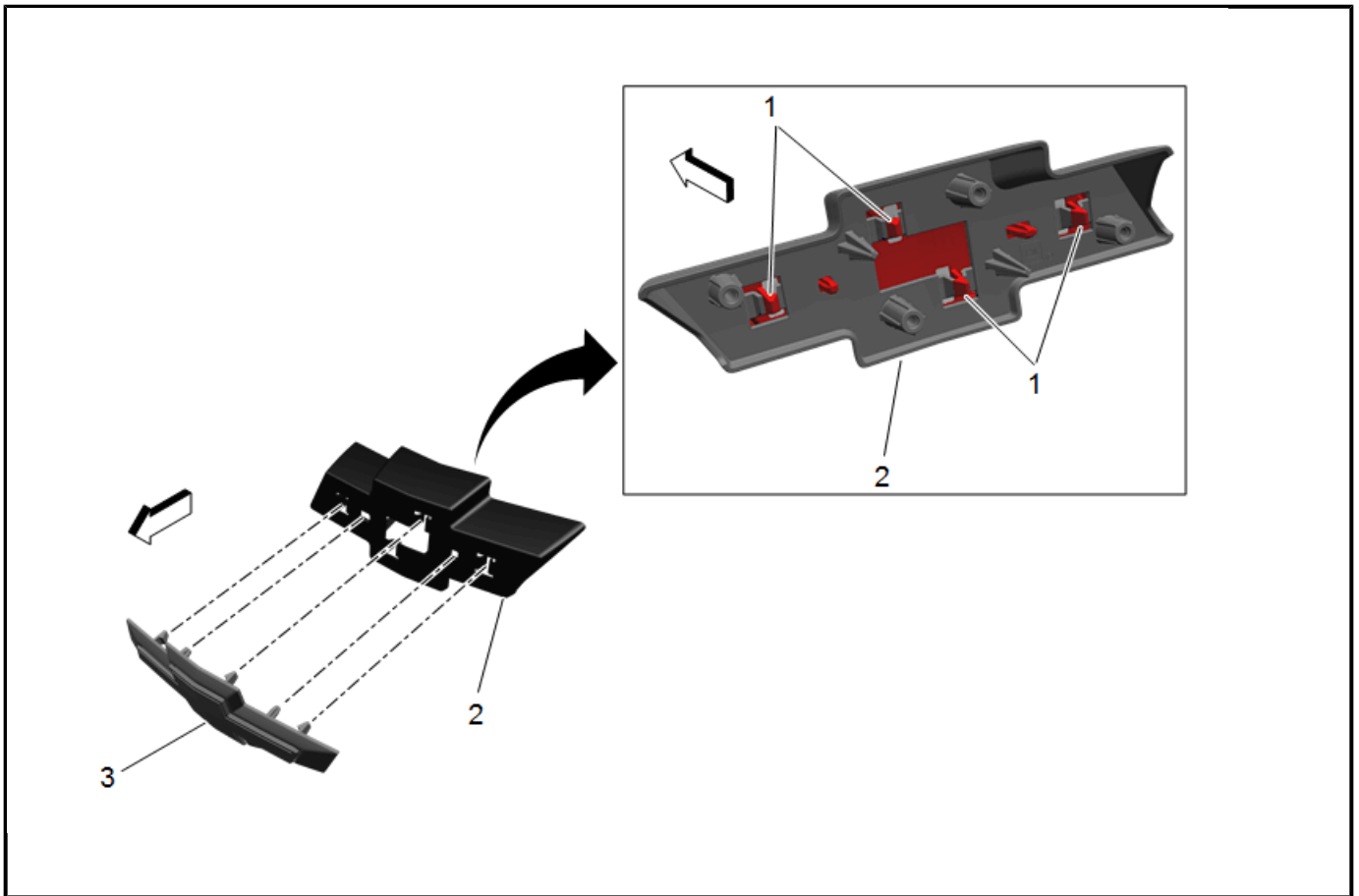
5048877

6. On the backside of the grille assembly (2) remove and retain the screws (2) securing the emblem adaptor.



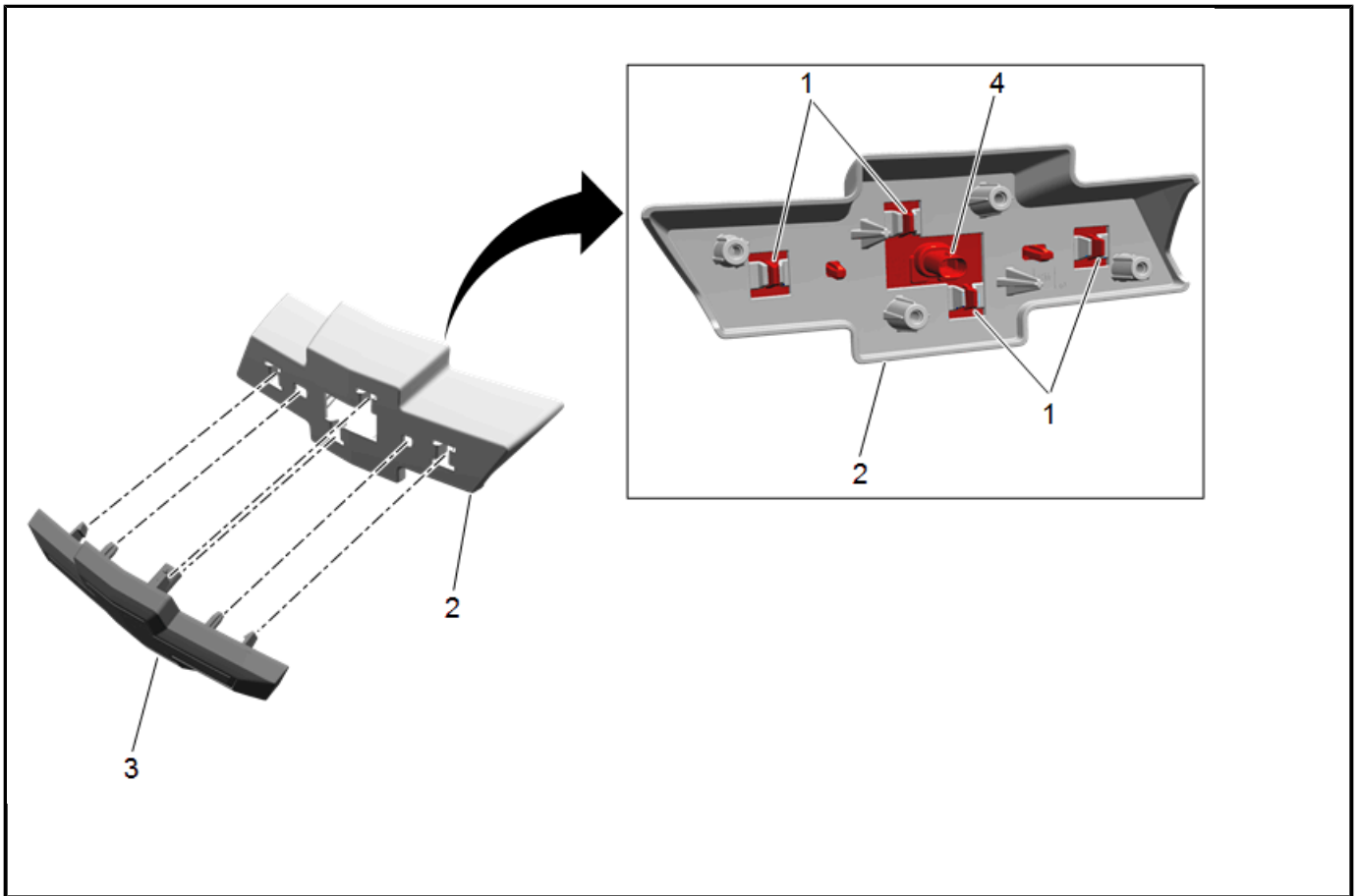
5048879

7. Remove the production bowtie emblem with adaptor (1) from grille assembly (2).



5045278

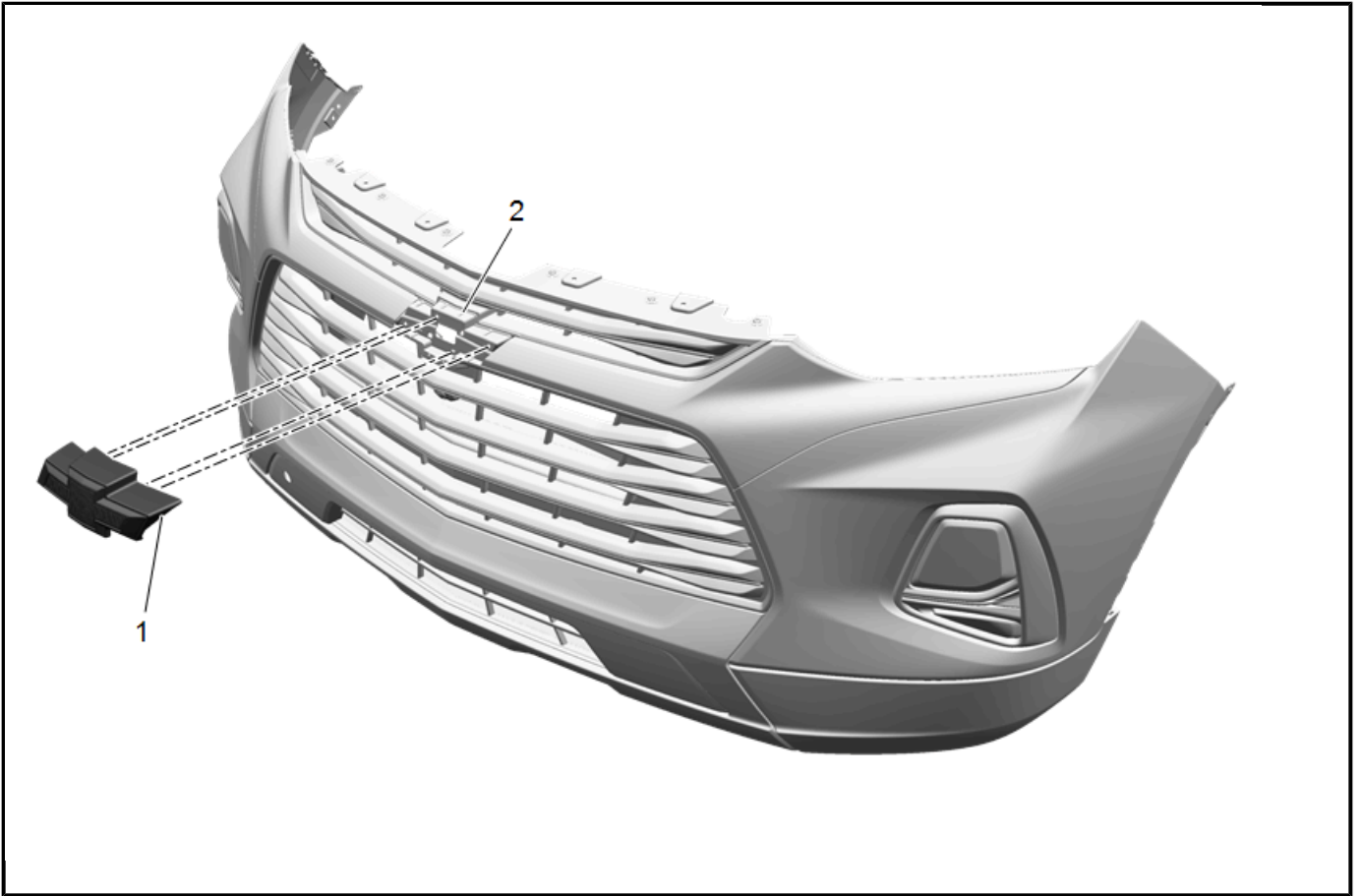
8. Disengage the retaining tabs (1) and remove the production bowtie emblem (3) from the emblem adaptor (2).



5048882

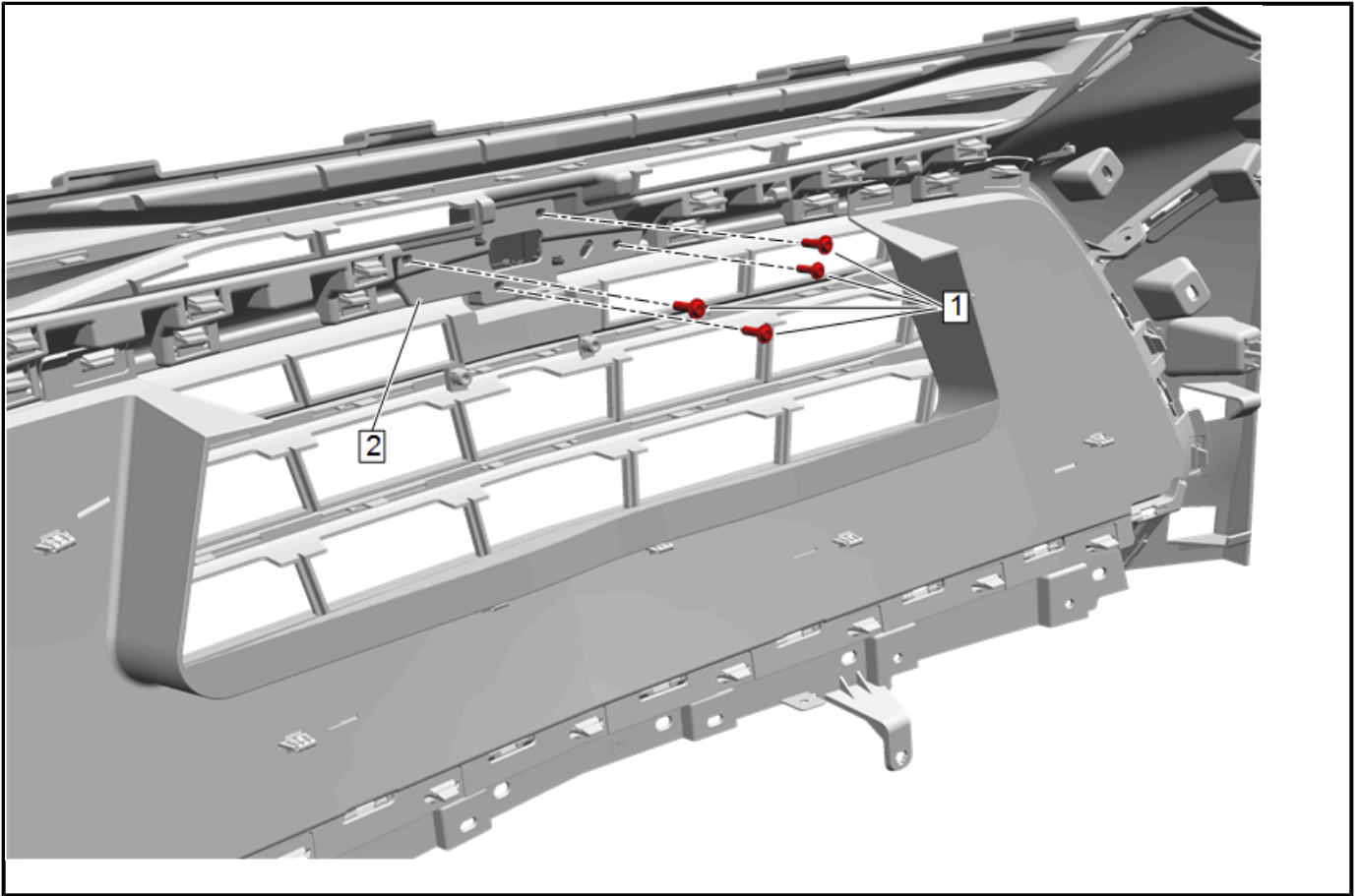
9. Install the illuminated bowtie emblem (3) to the emblem adaptor (2) applying enough evenly distributed pressure to engage the retention tabs (1).

**Note:** Wiggle the retention tabs (1) to make sure they are fully engaged.



5048879

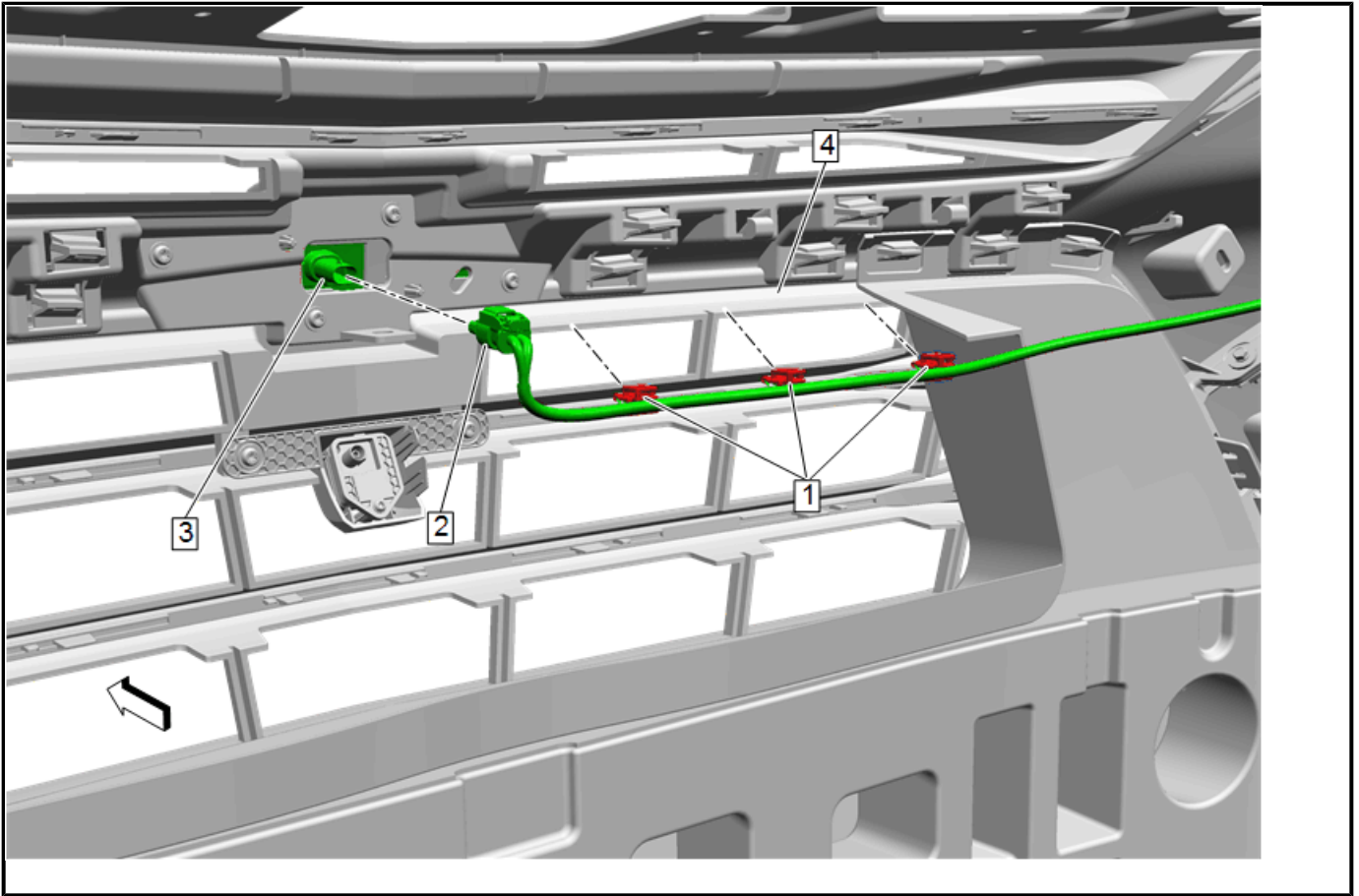
10. Install the illuminated bowtie emblem with adaptor (1) to the grille assembly (2).



5048877

**Caution:** Use the correct fastener in the correct location. Replacement fasteners must be the correct part number for that application. Fasteners requiring replacement or fasteners requiring the use of thread locking compound or sealant are identified in the service procedure. Do not use paints, lubricants, or corrosion inhibitors on fasteners or fastener joint surfaces unless specified. These coatings affect fastener torque and joint clamping force and may damage the fastener. Use the correct tightening sequence and specifications when installing fasteners in order to avoid damage to parts and systems.

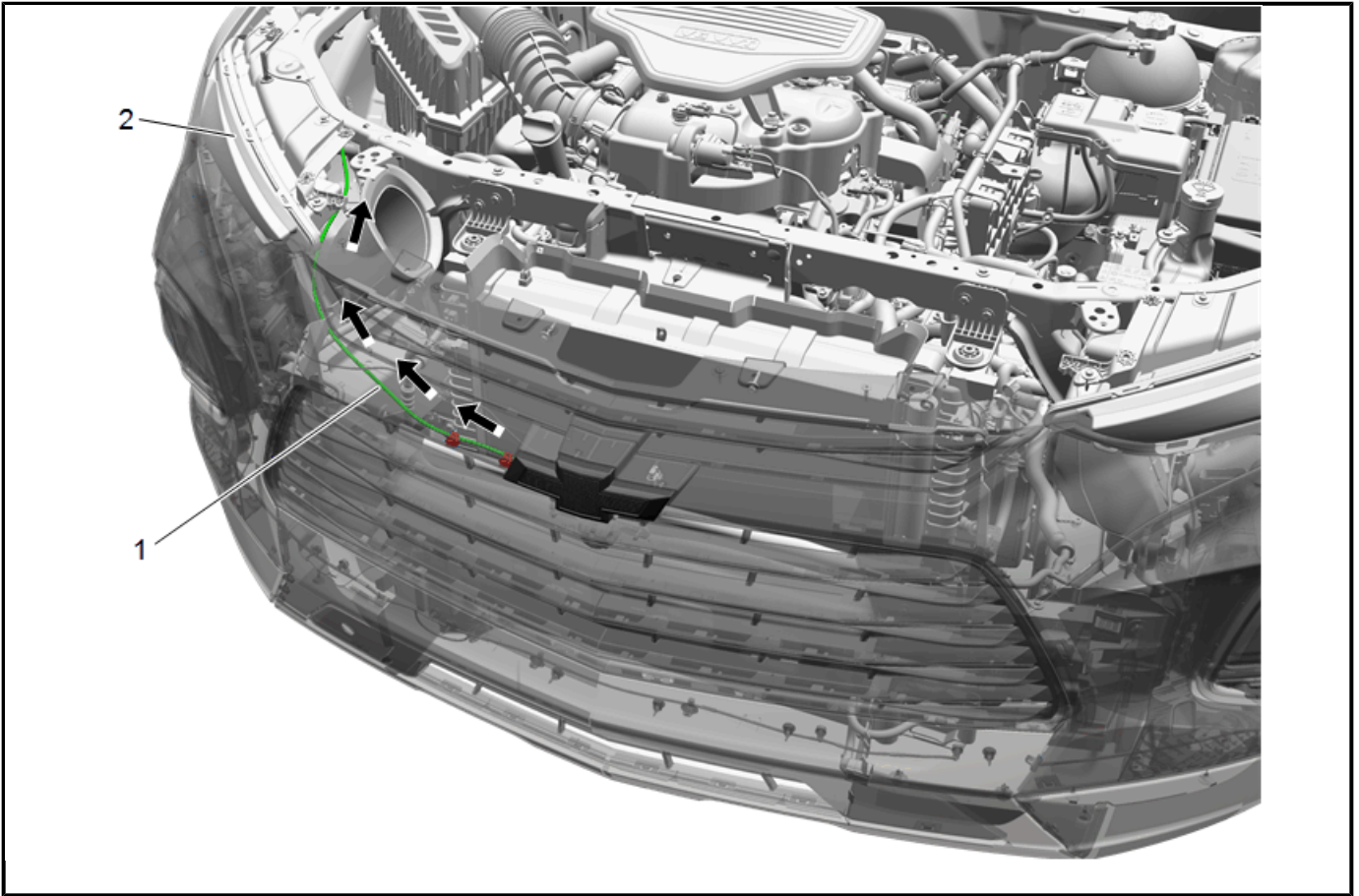
11. On the backside of the grille assembly (2) install the previously retained screws (2) securing the emblem adaptor. Tighten the screws to 2.5 N.m (22 lb in).



5048891

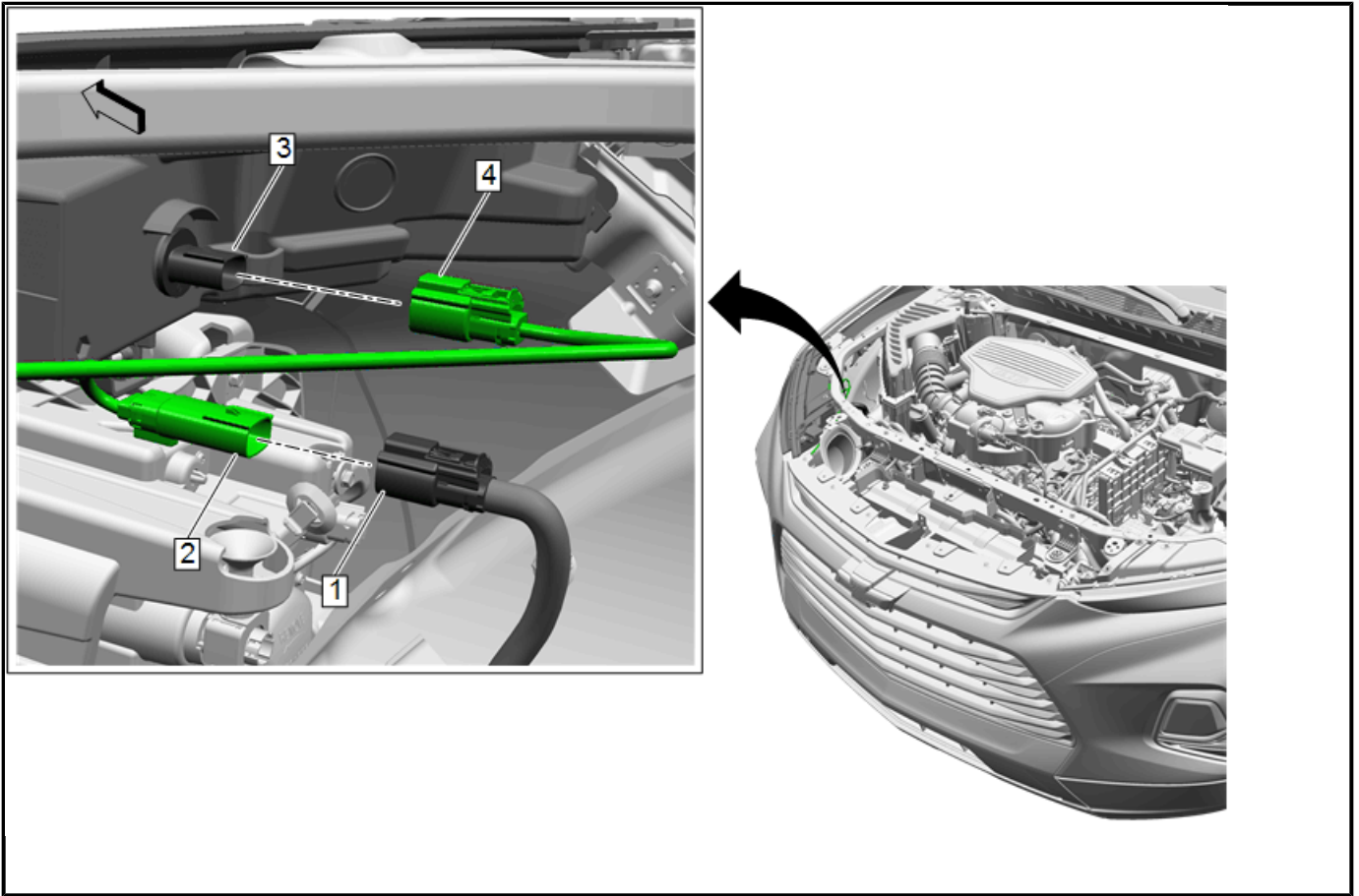
12. Position the front fascia assembly to the vehicle.
13. Connect the single connector end of harness (2) to the illuminated bowtie emblem (3).
14. Secure harness to grille (4) with supplied edge metal clips (1) and route harness towards passenger side DRL lamp.





5048893

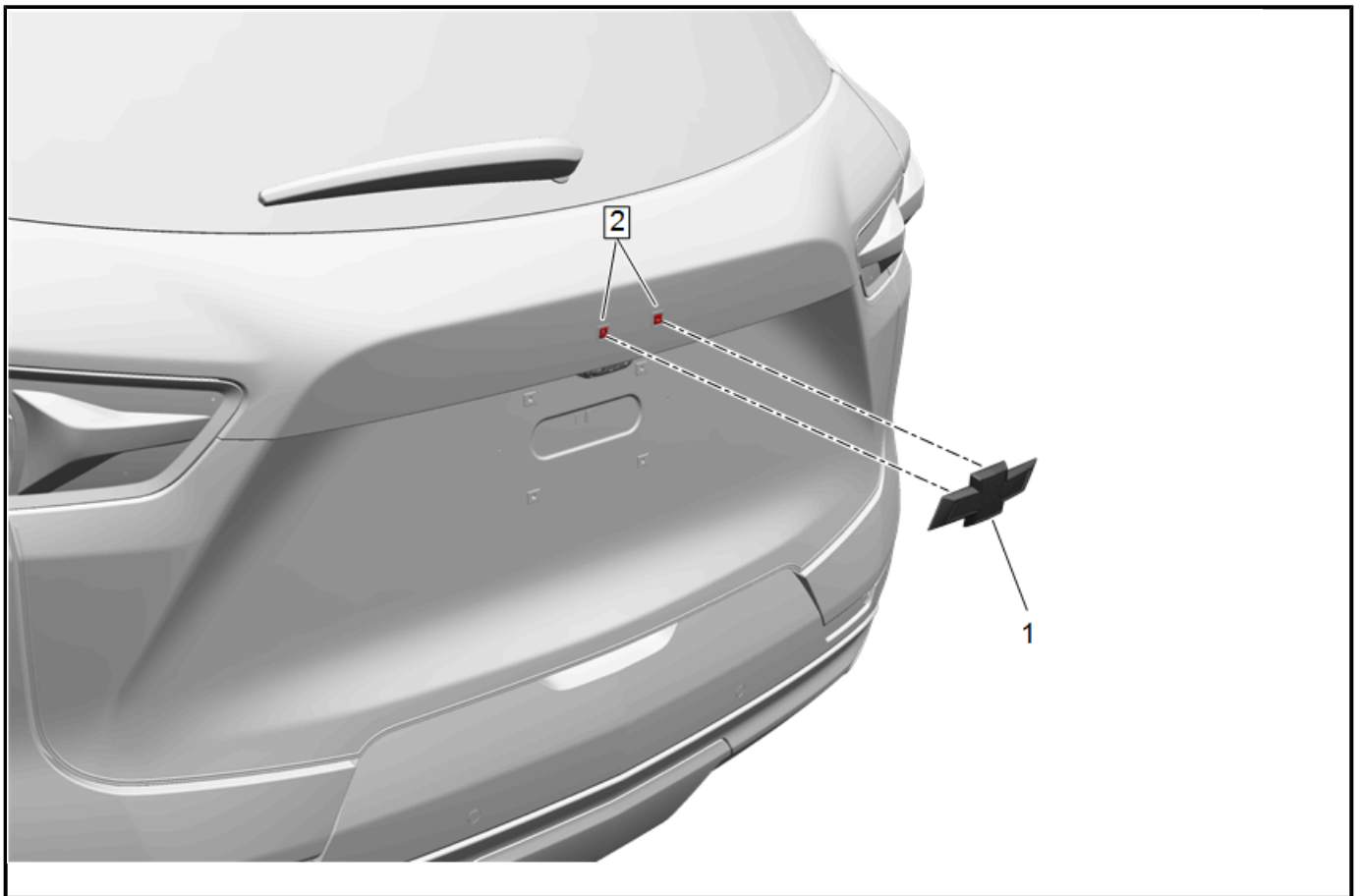
15. Continue to route harness (1) behind front bumper fascia behind the passenger side DRL lamp assembly (2).



5048895

16. Disconnect the passenger side DRL harness connector (1) from the passenger DRL lamp (3).
  17. Connect one end of the accessory harness (4) to the passenger DRL lamp (3).
  18. Connect the other end of accessory harness (2) to the previously disconnected DRL lamp harness connector (1).
- Note:** Make sure to push the RED CPA (connector position assurance) after making both connections.
19. Use provided cable ties to secure accessory harness to the DRL lamp harness bundle.
  20. Reposition and re-install the front bumper fascia. Refer to [Front Bumper Fascia Replacement](#) in Vehicle Service Manual.
  21. Test and confirm front lighting operation (headlamp fog lamp and illuminated emblem).
  22. Close the hood.

## Rear Bow Tie Emblem Replacement



5048961

1. Using a suitable plastic flat bladed tool, disengage the retainers on the production bowtie emblem (1) from the grommets and remove from liftgate.
2. Position black bowtie emblem (1) to the grommets (2) on liftgate making sure retainers are engaged.