

Document ID: 5254845

Front Tow Hook Package Installation

Installation Instructions Part Number

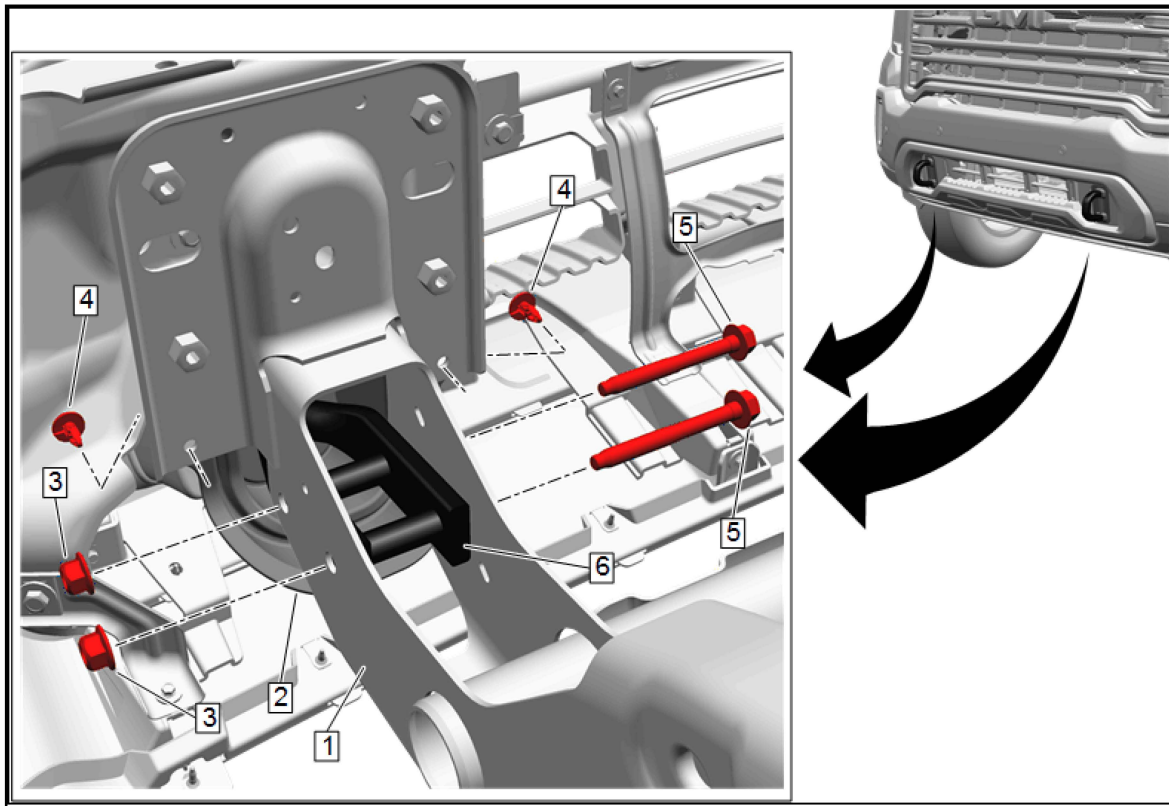
84513880

Kit Contents

Qty	Description
2	Tow hook
4	Bolt
4	Nut
1	Installation Instructions

Removal Procedure

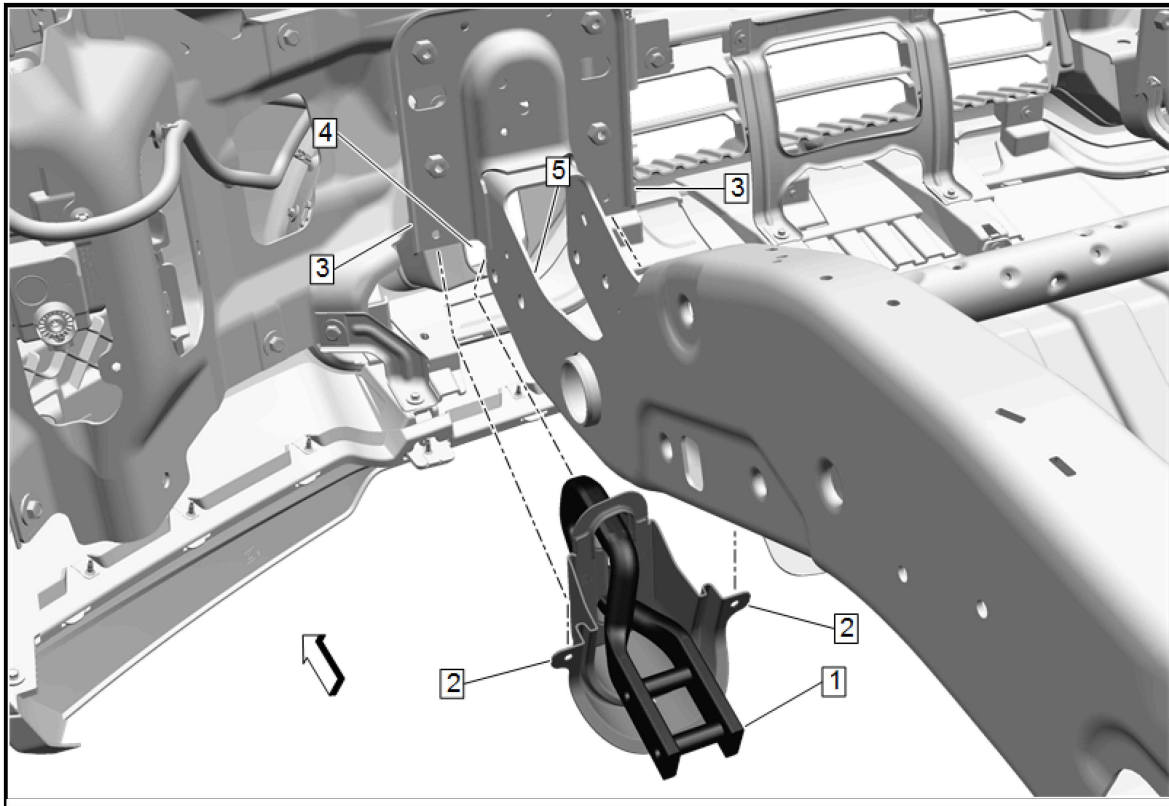
1. Raise and support the vehicle. [Lifting and Jacking the Vehicle](#) in Vehicle Service Manual.



Note: Push retainers (4) and tow eye access holes covers (2) apply to MY 20 vehicles only.

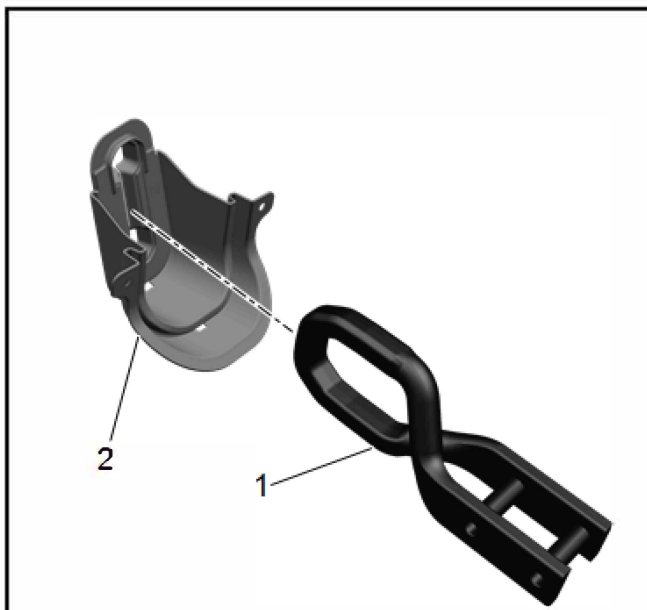
© 2021 General Motors. All rights reserved.

2. Remove the push retainers (4) securing the front bumper fascia tow eye access hole cover (2) to the front bumper impact bar bracket.
3. Front Tow Hook Nut (3) » Remove and DISCARD [2x]
4. Front Tow Hook Bolt (5) » Remove and DISCARD [2x]
5. Hook (6) will be removed downward from frame (1).



Note: Tow eye access hole covers (2) apply to MY 20 vehicles only.

6. Remove the tow hook (1) with front bumper fascia tow eye access hole cover (2) away from the front bumper impact bar bracket (3), fascia hole opening (4) and frame (5).

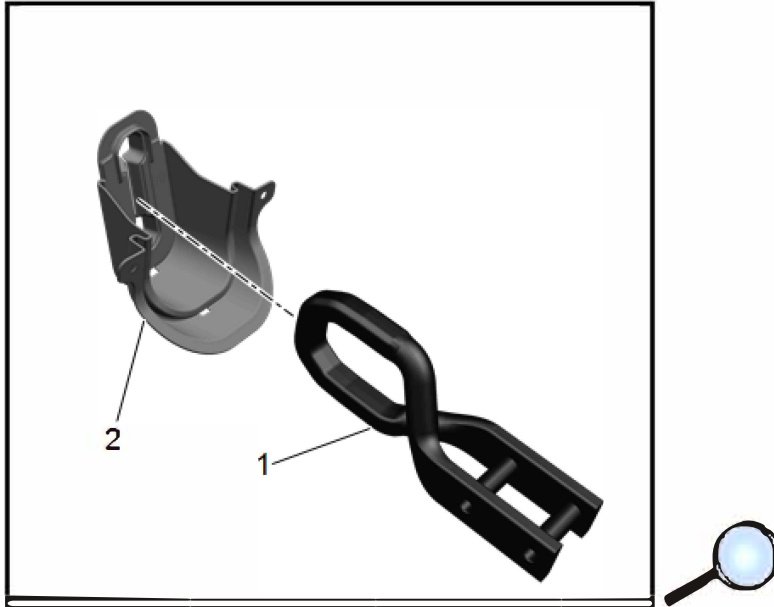


© 2021 General Motors. All rights reserved.

Note: Tow eye access hole covers (2) apply to MY 20 vehicles only.

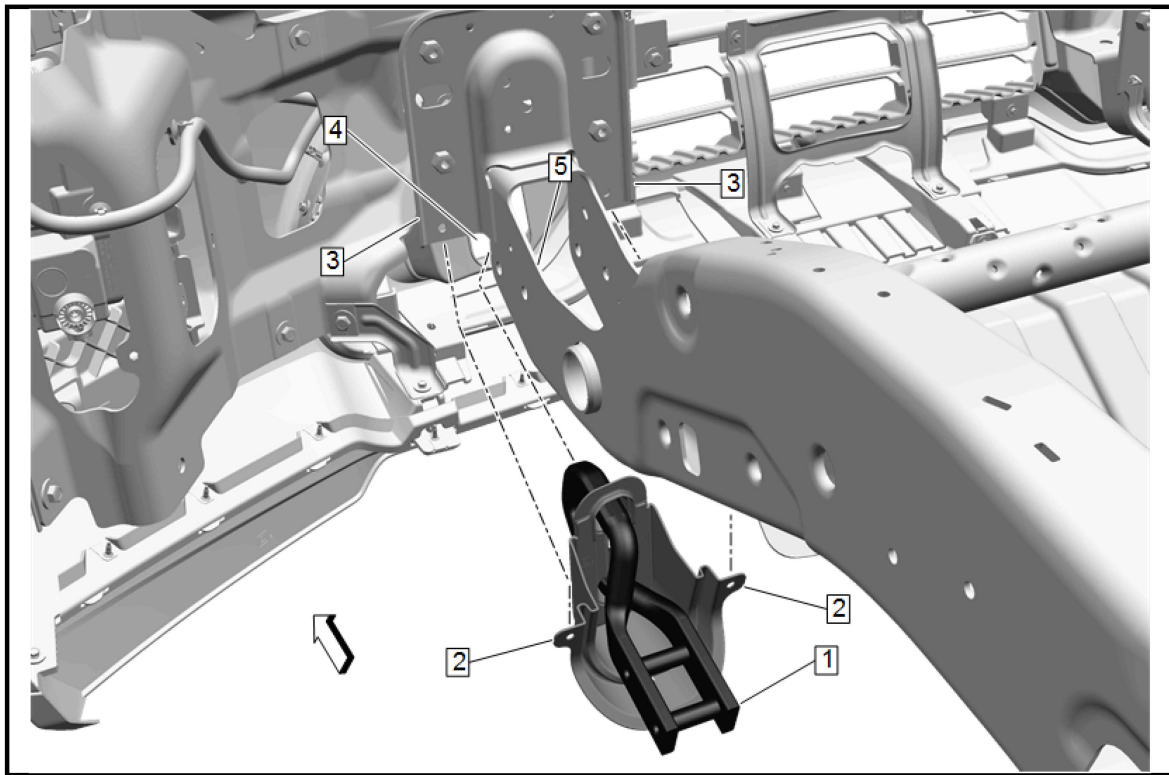
7. Remove the tow hook (1) from the front bumper fascia tow eye access hole cover (2).
8. Repeat steps 2 through 7 for opposite side tow hook.

Installation Procedure



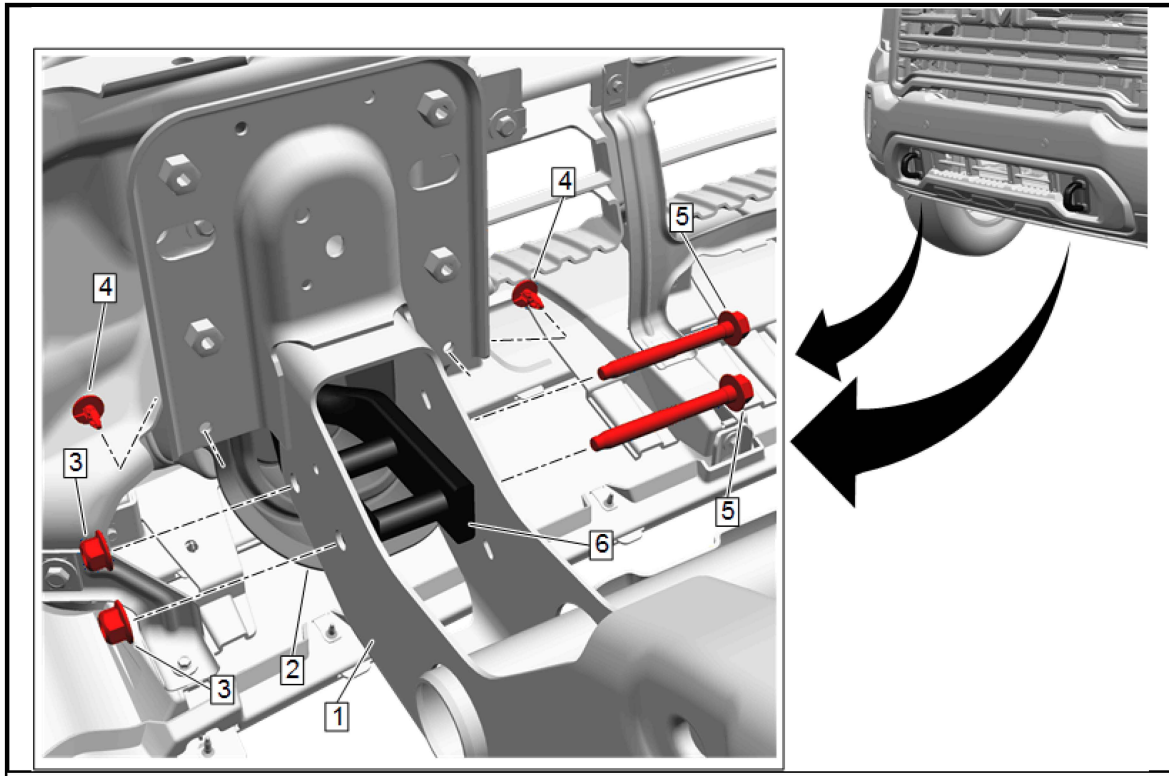
Note: Tow eye access hole covers (2) apply to MY 20 vehicles only.

1. Install the new tow hook (1) to the front bumper fascia tow eye access hole cover (2).



Note: Tow eye access hole covers (2) apply to MY 20 vehicles only.

- Position new tow hook (1) with front bumper fascia tow eye access hole cover to the fascia hole opening (4) and frame (5) making sure that the holes (2) on the front bumper fascia tow eye access hole cover are positioned to the holes on the outside of the front bumper impact bar bracket (3).

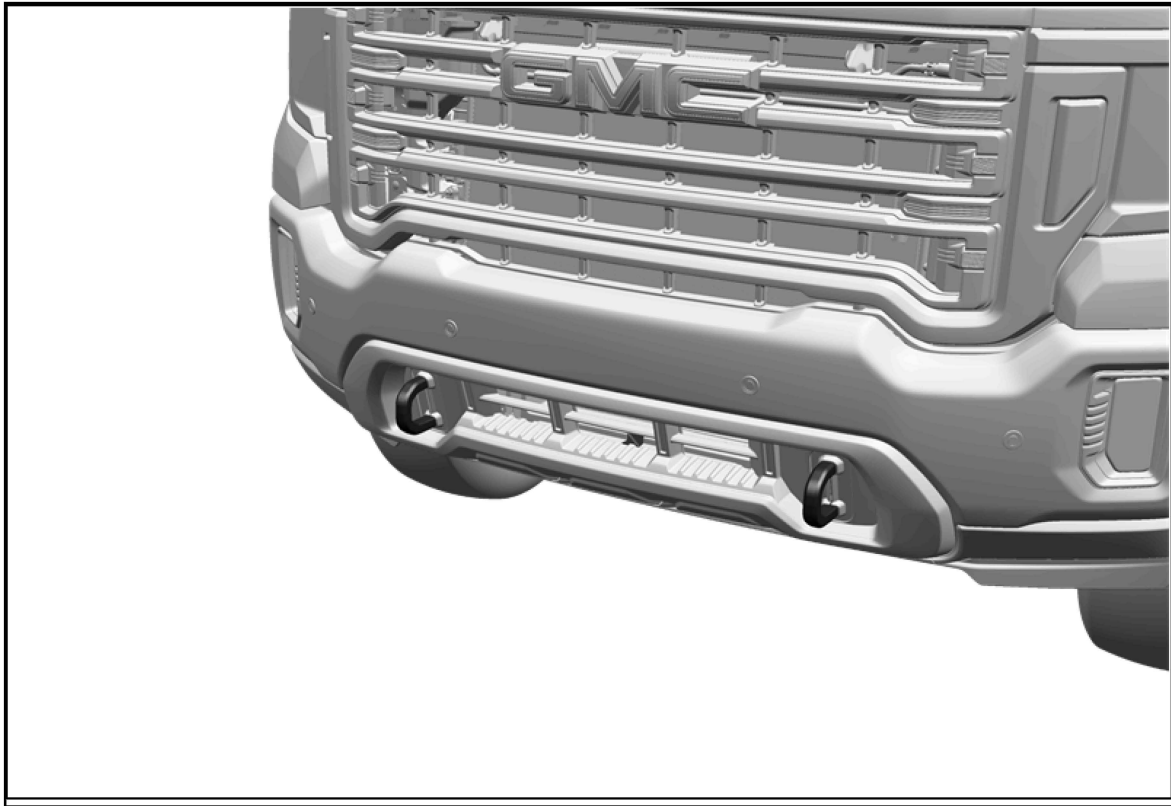


Caution: Use the correct fastener in the correct location. Replacement fasteners must be the correct part number for that application. Fasteners requiring replacement or fasteners requiring the use of thread locking compound or sealant are identified in the service procedure. Do not use paints, lubricants, or corrosion inhibitors on fasteners or fastener joint surfaces unless specified. These coatings affect fastener torque and joint clamping force and may damage the fastener. Use the correct tightening sequence and specifications when installing fasteners in order to avoid damage to parts and systems.

- Align tow hook (6) to holes in frame (1).
- Front Tow Hook Bolt (5) » Install NEW [2x]
- Front Tow Hook Nut (3) » Install NEW Install and tighten **75 N.m (55 lb ft)**

Note: Push retainers (4) and tow eye access holes covers (2) apply to MY 20 vehicles only.

- Install the push retainers (4) into the front bumper fascia tow eye access hole cover (2) and front bumper impact bar bracket.
- Repeat steps 1 through 6 for opposite side tow hook.



- 8. Tow hooks complete.
- 9. Lower the vehicle.