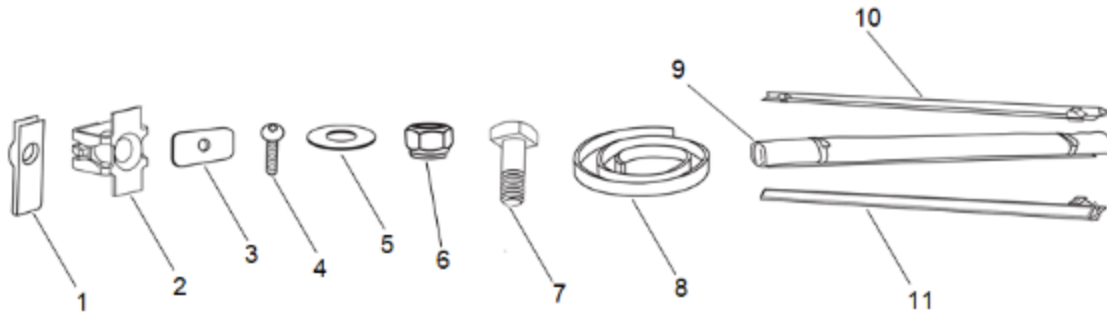


# Soft Tonneau Cover Package Installation (Instruction ID: 85120319)

## Installation Instructions Part Number

85120319



### Kit Contents

Item	Qty	Description
1	2	Drill Guide
2	4	Box Nuts
3	8	Backing Plates
4	12	Bolts
5	2	Washer
6	2	Lock Nut 3/8"
7	2	Shoulder Bolt
8	1	Bulkhead Seal
9	1	Roll Up Tonneau Cover
10	1	Passenger Side Rail
11	1	Driver Side Rail

© 2024 General Motors. All rights reserved.

Item	Qty	Description
-	1	Installation Instructions

**Tools Required**



T30 Torx

© 2024 General Motors. All rights reserved.



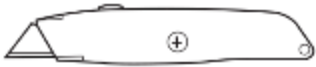
Drill



7 mm (9/32") Drill Bit



## 9/16" Deep Well Socket



## Suitable Cutting Knife



© 2024 General Motors. All rights reserved.

## Rubbing Alcohol to Clean Surface

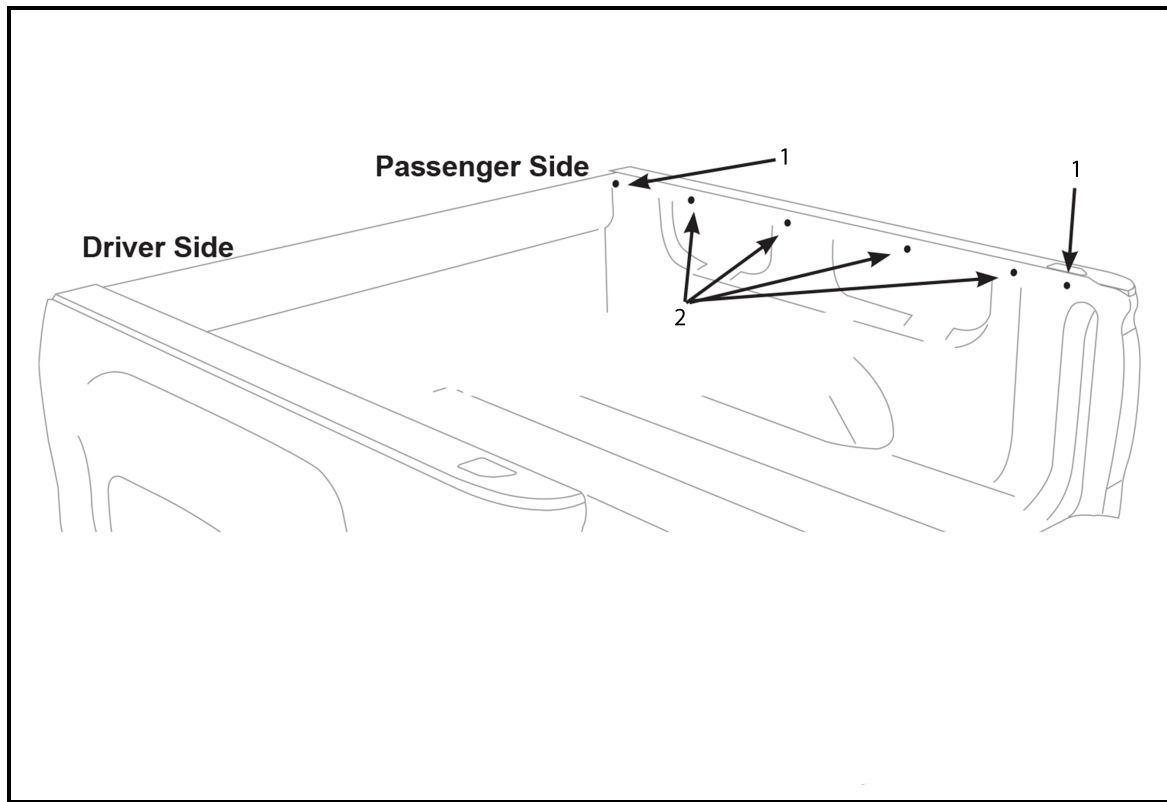
### Preparations

- Identify truck bed attachment points (Step 1).
- Drill plastic rail cap at attachment points (Step 3 and Step 4).



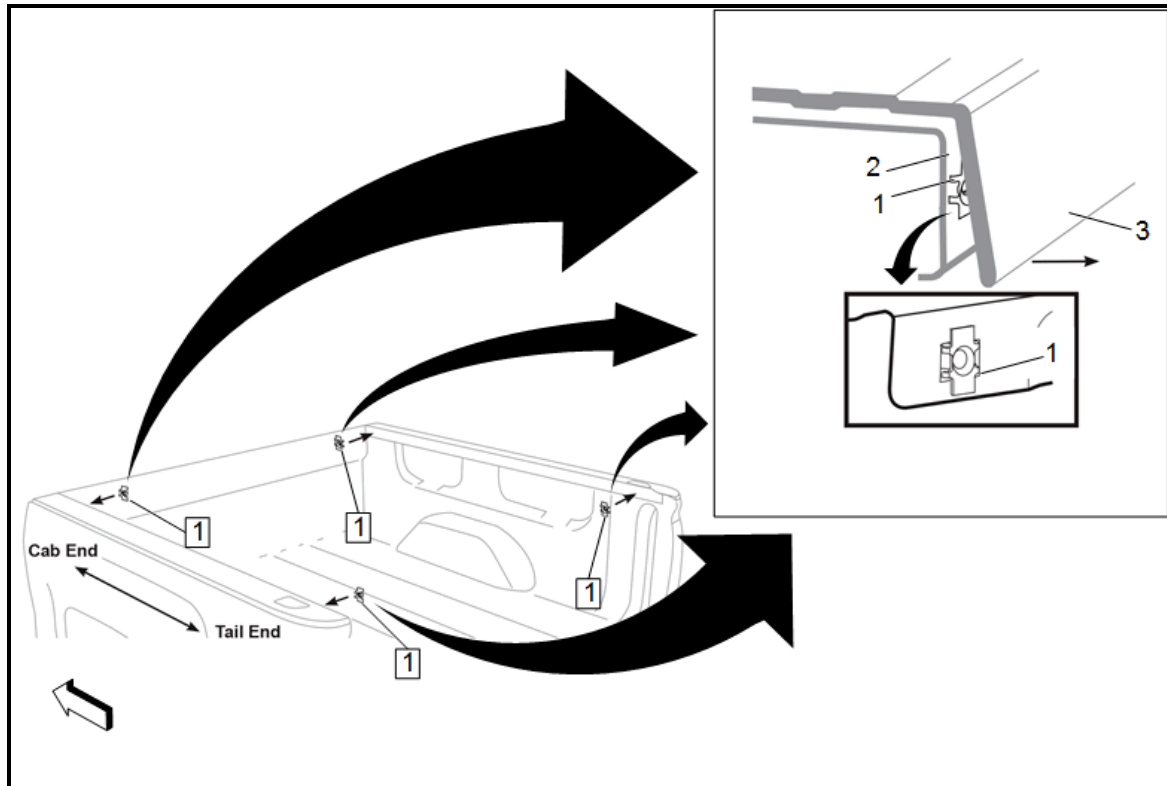
- It is important that all areas where the bed cover mounts are clean and free of debris prior to installing.

### Procedure

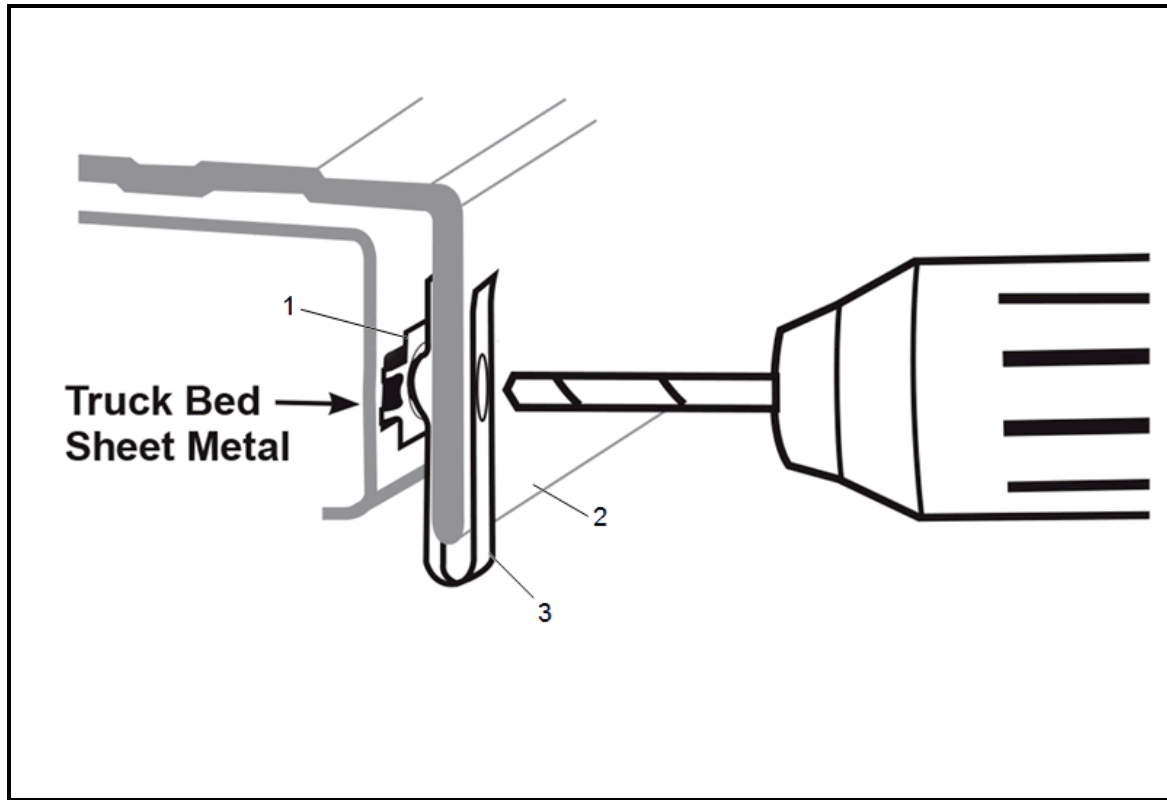


**Note:** Read all instructions before proceeding. It is recommended that two people install the tonneau cover.

1. Locate truck bed attachment points for driver side and passenger side rails. Attachment points (1), (2) are holes in truck bed sheet metal behind the plastic rail cap.

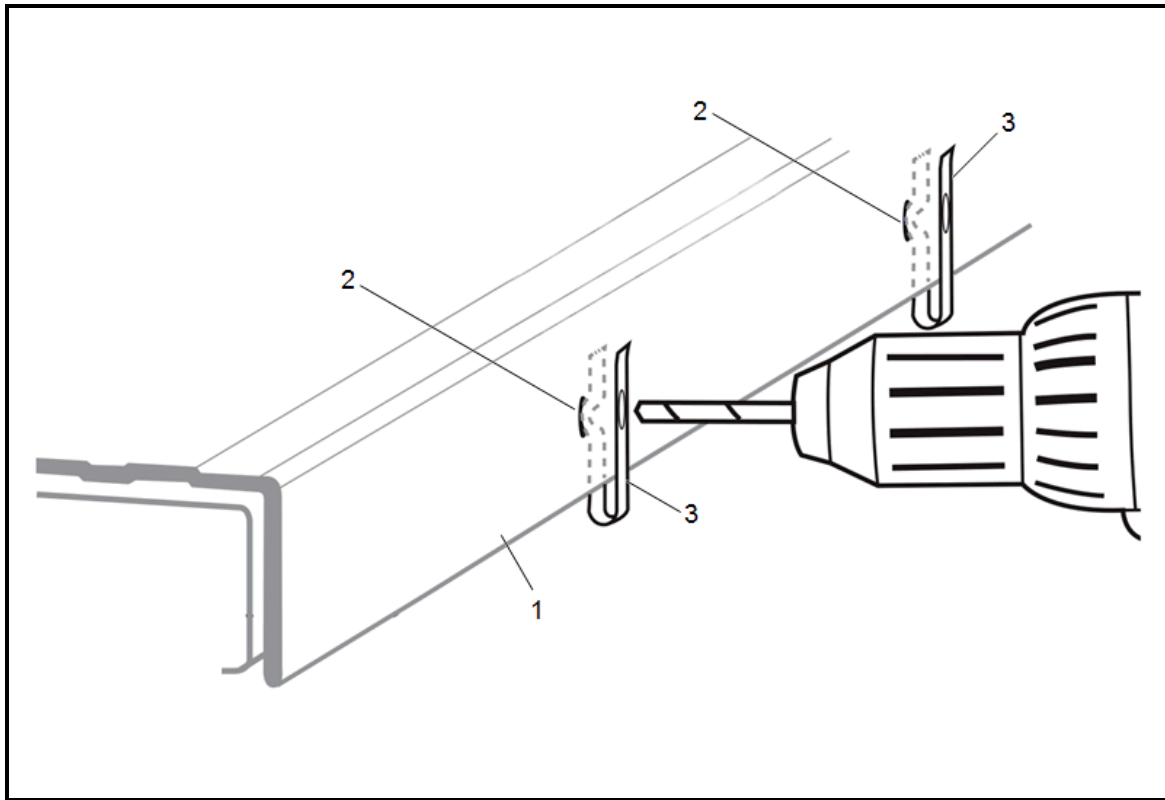


2. Install a Box Nut (1) in each of the four corner pillar positions. Box nuts are inserted in truck bed sheet metal (2) as shown. Access corner pillar holes by pulling back the plastic rail caps (3). Press box nuts in place so they are flush with the sheet metal.

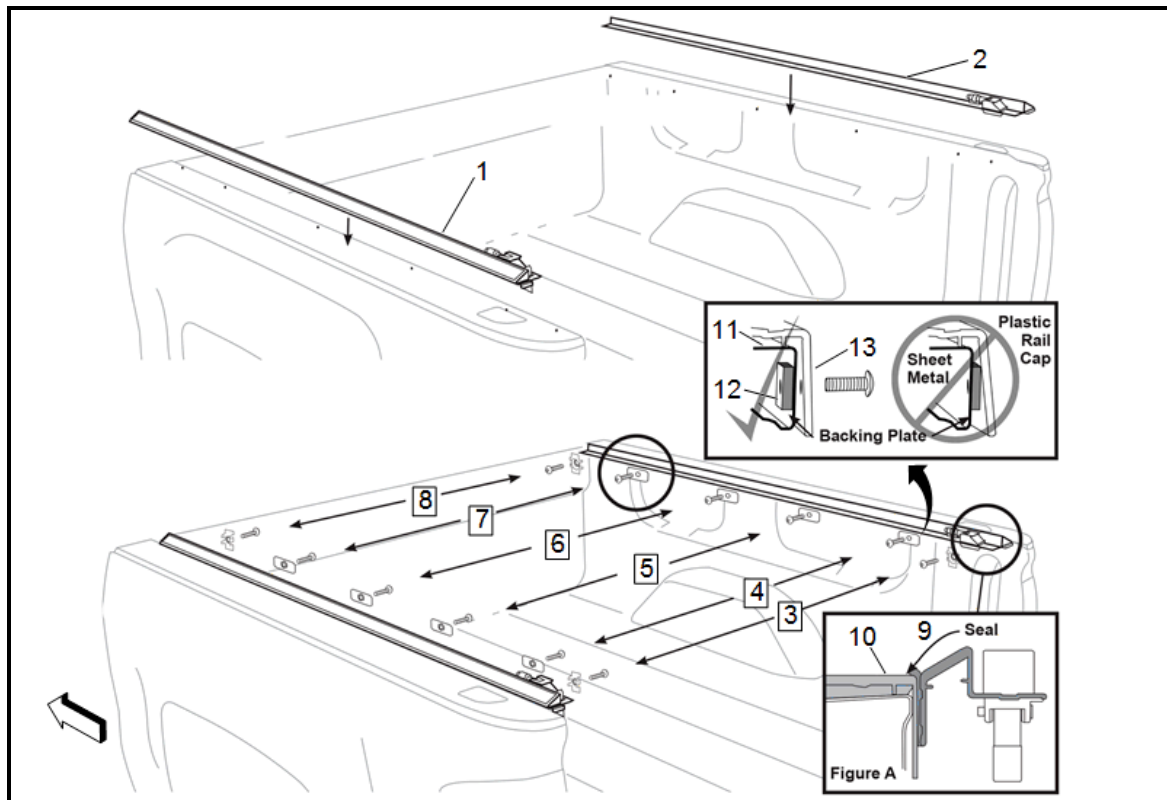


**Caution:** Always check scale, size and position of all templates before drilling. Failing to do so may cause damage to the vehicle, misalignment of components or the inability to install the accessory.

3. After installing the box nuts (1) lift the plastic rail cap (2) and locate the box nut thread inlet with the drill guide (3). Drill through the plastic rail cap (2) with 7 mm (9/32") drill bit. Repeat for all four corners.



4. Lift the plastic rail cap (1) and locate backing plate attachment holes (2) with the drill guide (3). Drill through the plastic rail cap (1) with 7 mm (9/32") drill bit. Repeat for all eight backing plate locations.



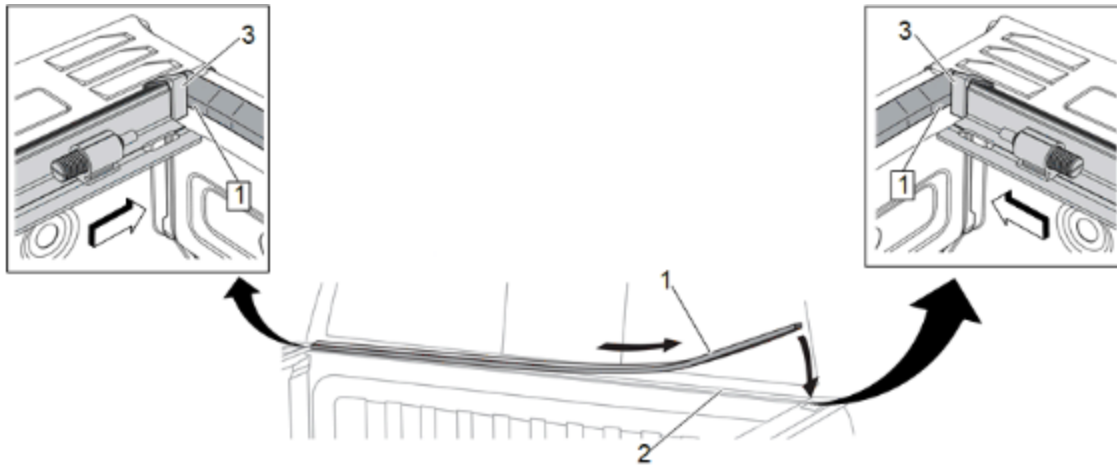
© 2024 General Motors. All rights reserved.

**Caution:** Use the correct fastener in the correct location. Replacement fasteners must be the correct part number for that application. Fasteners requiring replacement or fasteners requiring the use of thread locking compound or sealant are identified in the service procedure. Do not use paints, lubricants, or corrosion inhibitors on fasteners or fastener joint surfaces unless specified. These coatings affect fastener torque and joint clamping force and may damage the fastener. Use the correct tightening sequence and specifications when installing fasteners in order to avoid damage to parts and systems.

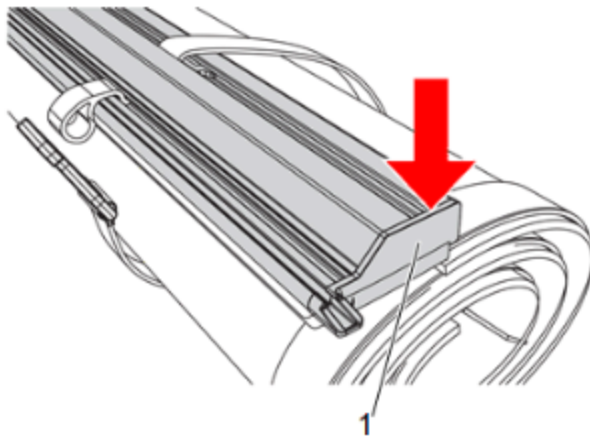
5. Install driver side rail (1) in the order shown. Hand tighten attachment bolt (3) and (8) in box nuts. Hand tighten (4), (5), (6) and (7) into backing plates. Align the edge of the rail seal (9) with the top of the plastic trim cap (10) as shown in figure **A**. Use T30 torx to fully tighten the bolts (4), (5), (6) and (7) followed by bolts (3) and (8) to 8.7 N.m (6.4 lb ft). Repeat for passenger side rail (2).

**Note:** Backing plates (12) are installed on the back side of the sheet metal (11). DO NOT install backing plates between plastic trim caps (13) and sheet metal.





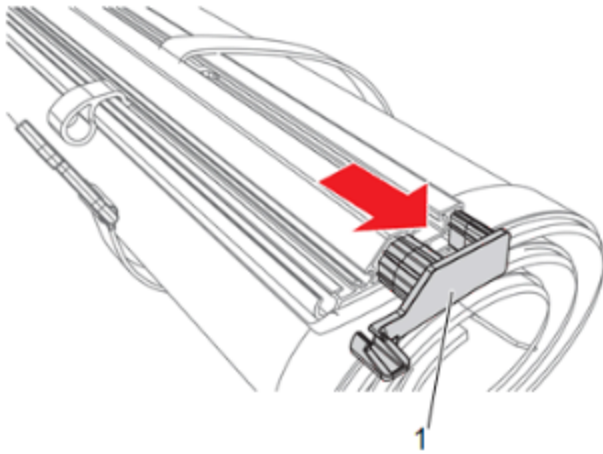
6. Prior to installation of the cover, the bulkhead seal (1) needs to be installed to the top of the bulkhead (2). The surface should be cleaned with rubbing alcohol before application. If too long, trim seal with knife or scissors. When installing, ensure the bulkhead seal (1) touches the foam seal on the front end of each side rail (3).



**Note:** Passenger side shown.

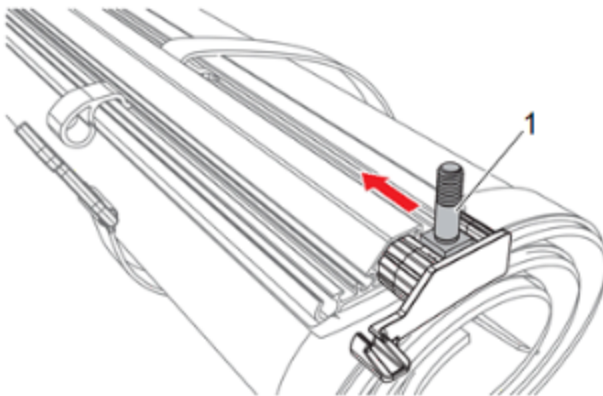
7. Locate the front header end plugs (1).

**Note:** Passenger side shown.



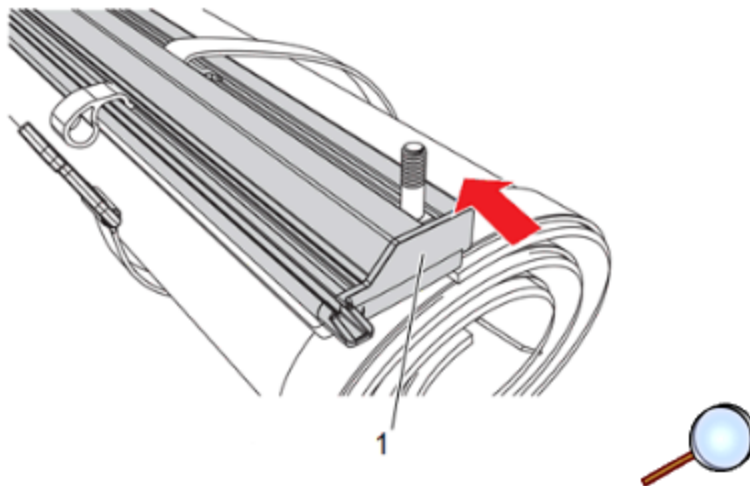
8. Remove end plug (1).

**Note:** Passenger side shown.



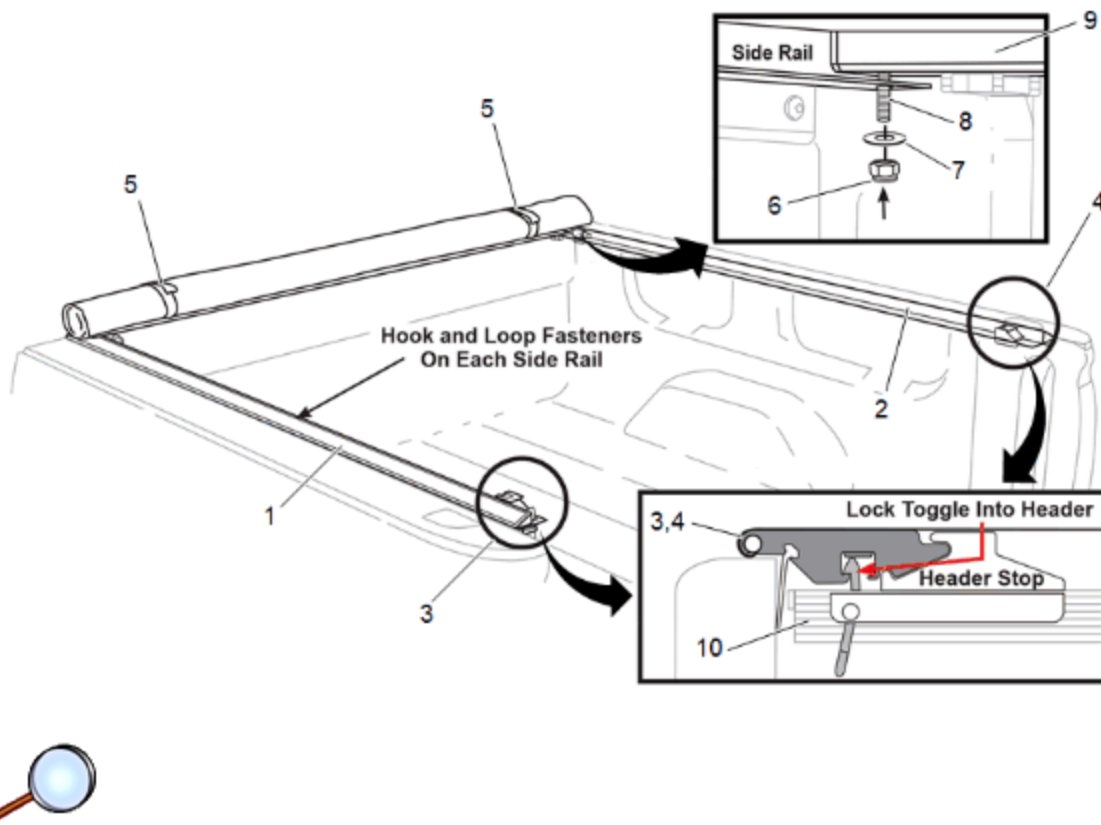
9. Insert bolt (1) from hardware bag.

**Note:** Passenger side shown.



10. Reinstall end plug (1). Repeat steps 7 thru 10 for opposite side.

© 2024 General Motors. All rights reserved.

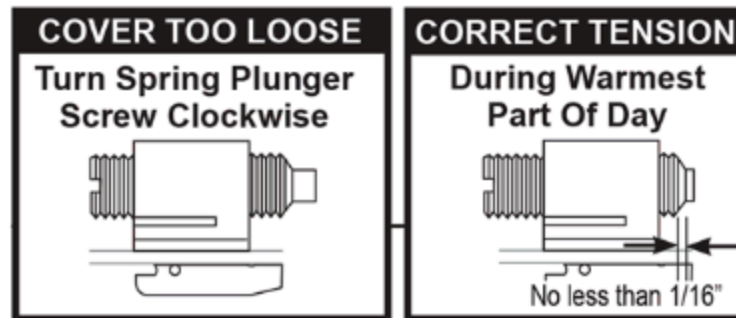
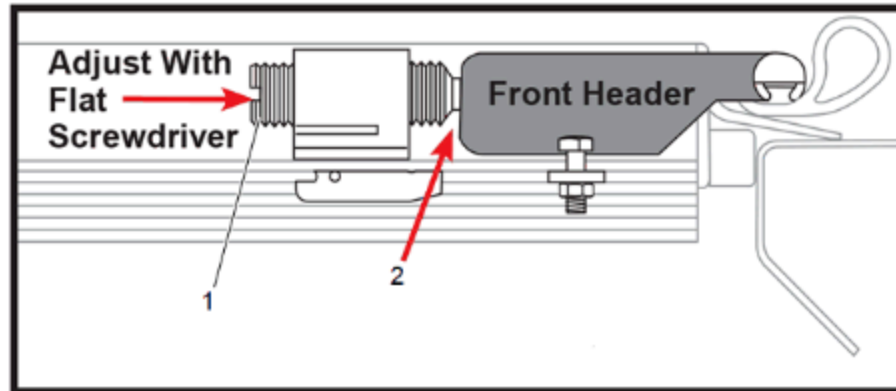


11. Position cab bar clamp bolts (8) through holes in driver side (1) and passenger side (2) rails. Center cab bar (9) between driver side (1) and passenger side (2) rails. Arrange header seal on the top side of truck bed cab wall. Install washer (7) and 3/8" nut (6) to clamp bolt (8) and tighten to 8.7 N.m (6.4 lb ft).

**Note:** Do not overtighten, cab bar must be free to slide for tension adjustment.

12. Unclip the tie down straps (5) and roll out the tonneau.

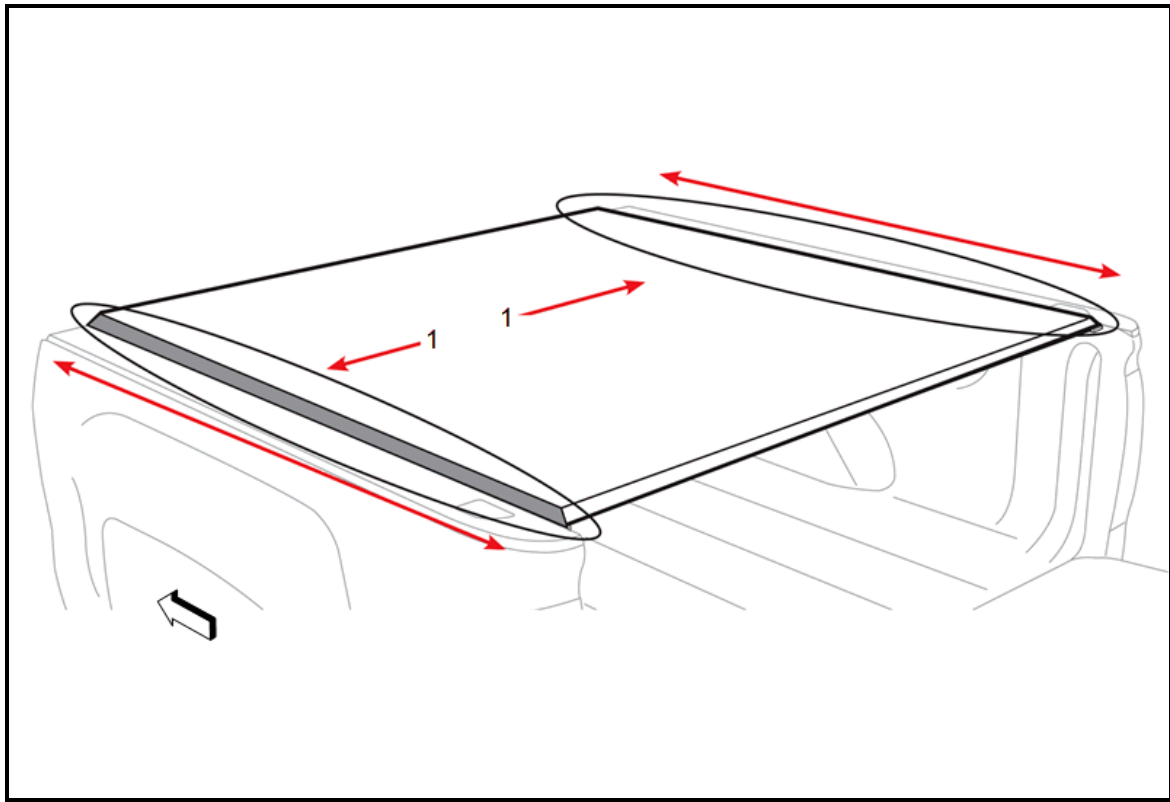
13. Secure tail bar into the passenger side (3) and driver side (4) receivers. Press down on the tail bar (10) until it snaps into place.



14. Using a flat-bladed screwdriver adjusting the cover tension. If the tail bar does not engage or cover is not taut, adjust driver and passenger side cover tensioners (1) to increase or decrease cover tension. Set tension during warmest part of day. With cover closed, release hook and loop fastener from both side rails near cab. Check compression of both spring plungers (2) against the front header per diagram. Roll cover open and make adjustments. Close cover and re-check adjustment. Repeat until satisfactory tension has been achieved. Repeat step 13.

**Note:** Adjust tension in small increments. Slight adjustments will gain significant results.

- Check cover tension after installation, seasonally, and after extreme temperature changes.
- For best performance, adjust tension regularly to protect your cover against wind wear.



15. Beginning in the middle of the truck bed pull and place the hook and loop fastener (1) to secure the soft cover to the side rails.